

Feb. 26, 1963

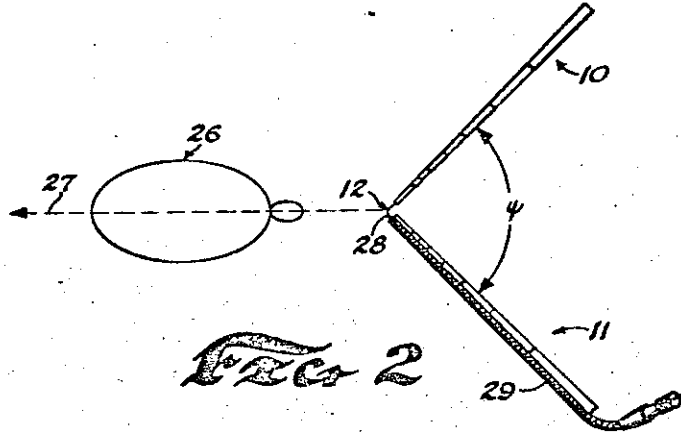
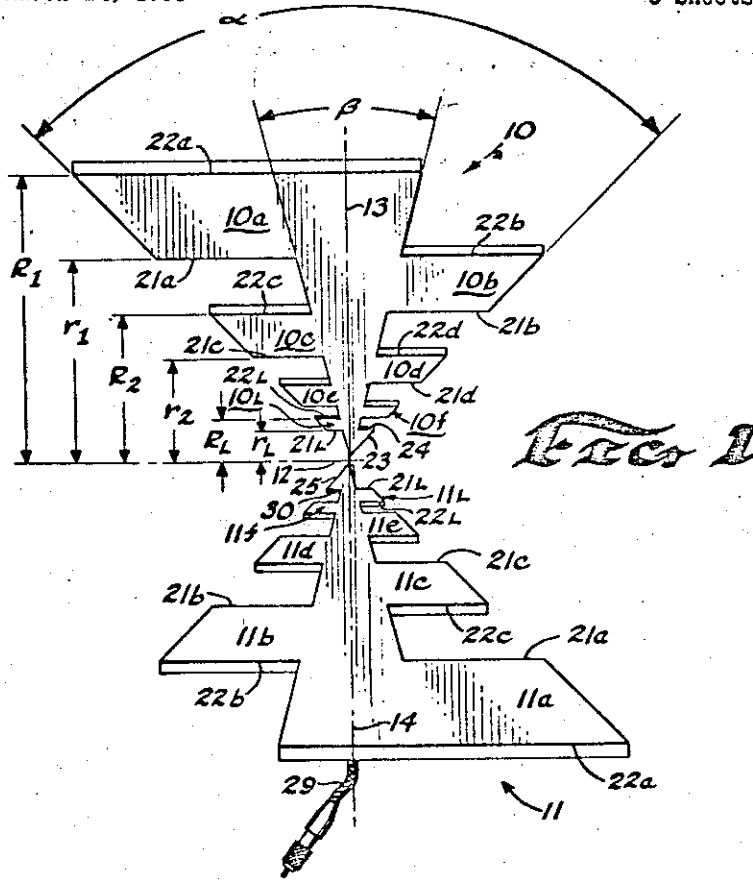
R. H. DU HAMEL ET AL

3,079,602

LOGARITHMICALLY PERIODIC ROD ANTENNA

Filed March 14, 1958

9 Sheets-Sheet 1



INVENTORS
 RAYMOND H. DUHAMEL
 FRED R. ORE
 BY *Moody and Goldman*
 ATTORNEYS

Feb. 26, 1963

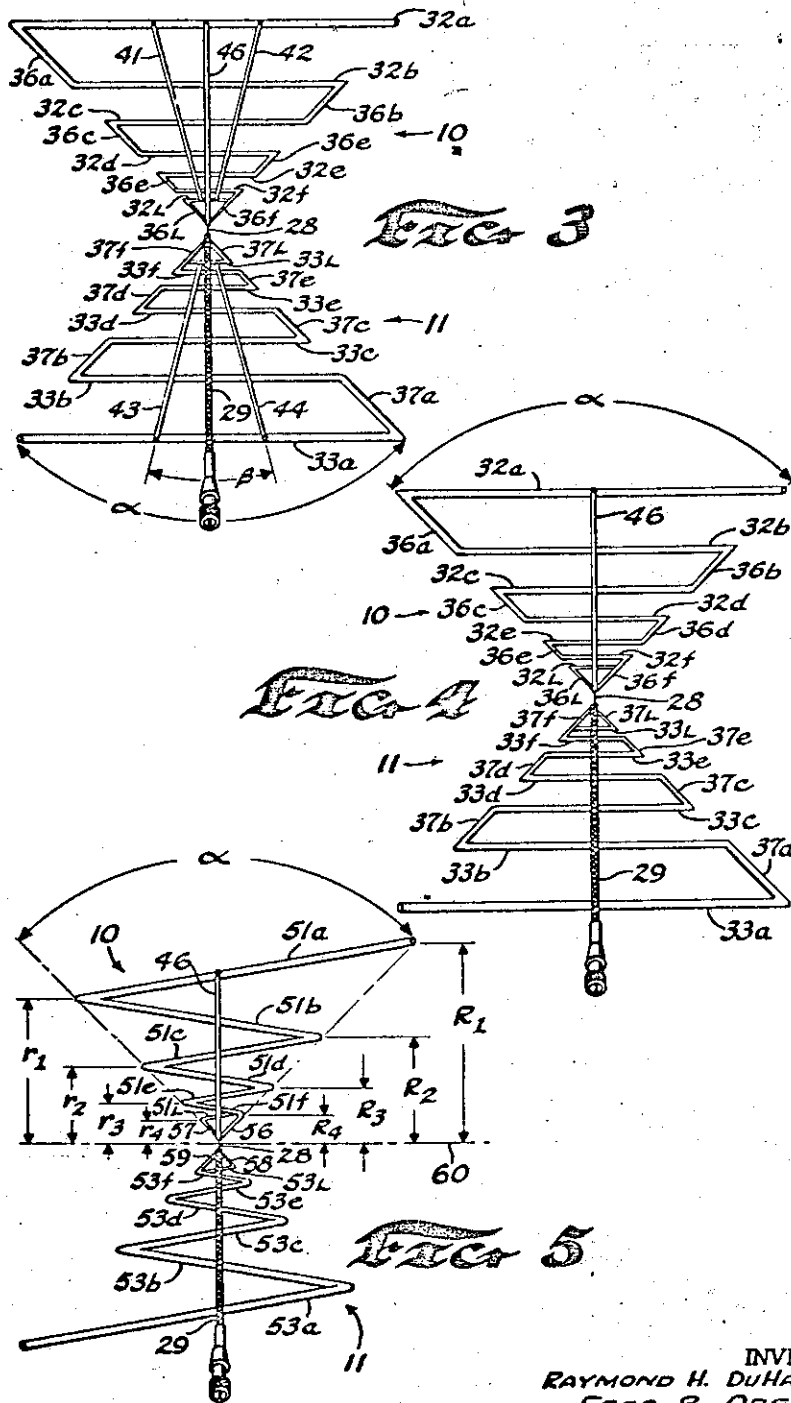
R. H. DU HAMEL ET AL

3,079,602

LOGARITHMICALLY PERIODIC ROD ANTENNA

Filed March 14, 1958

9 Sheets-Sheet 2



INVENTORS
RAYMOND H. DUHAMEL
FRED R. ORE
BY *Moody and Goldman*
ATTORNEYS

Feb. 26, 1963

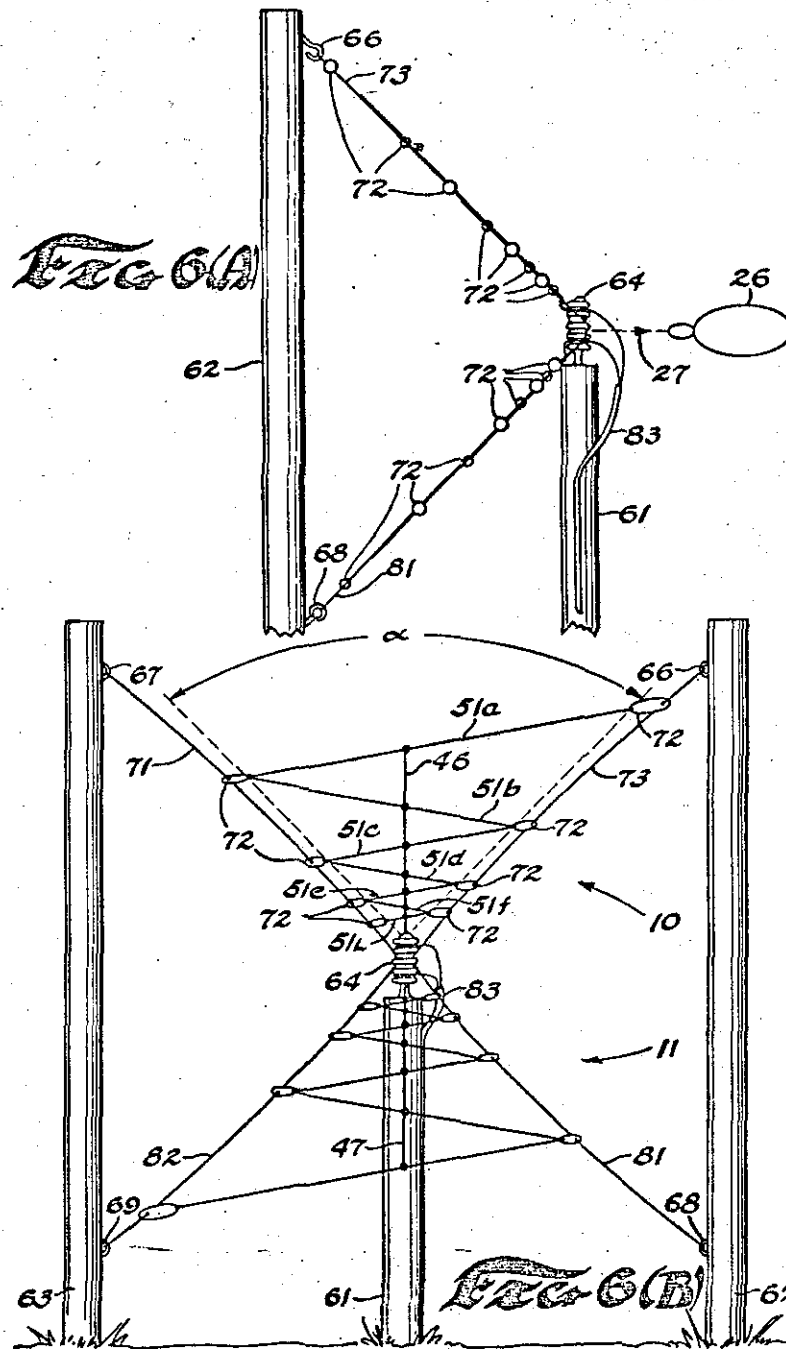
R. H. DU HAMEL ET AL

3,079,602

LOGARITHMICALLY PERIODIC ROD ANTENNA

Filed March 14, 1958

9 Sheets-Sheet 3



INVENTORS
RAYMOND H. DU HAMEL
FRED R. ORE
BY *Moody and Goldman*
ATTORNEYS

Feb. 26, 1963

R. H. DU HAMEL ET AL

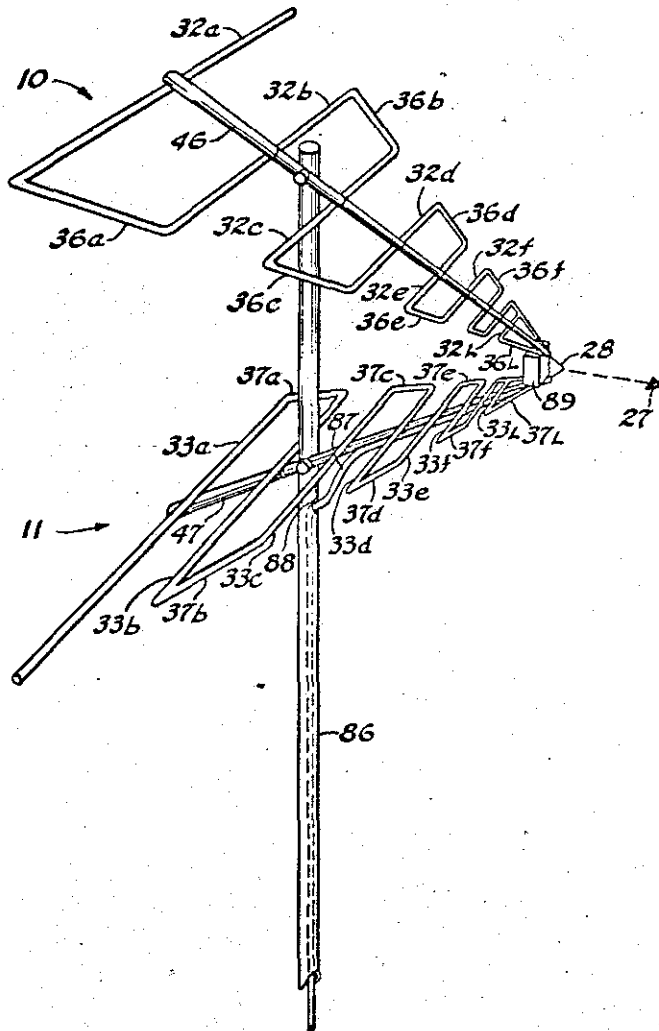
3,079,602

LOGARITHMICALLY PERIODIC ROD ANTENNA

Filed March 14, 1958

9 Sheets-Sheet 4

FIG. 7



INVENTOR.
RAYMOND H. DU HAMEL
FRED R. ORE
BY *Moody and Goldman*
ATTORNEYS

Feb. 26, 1963

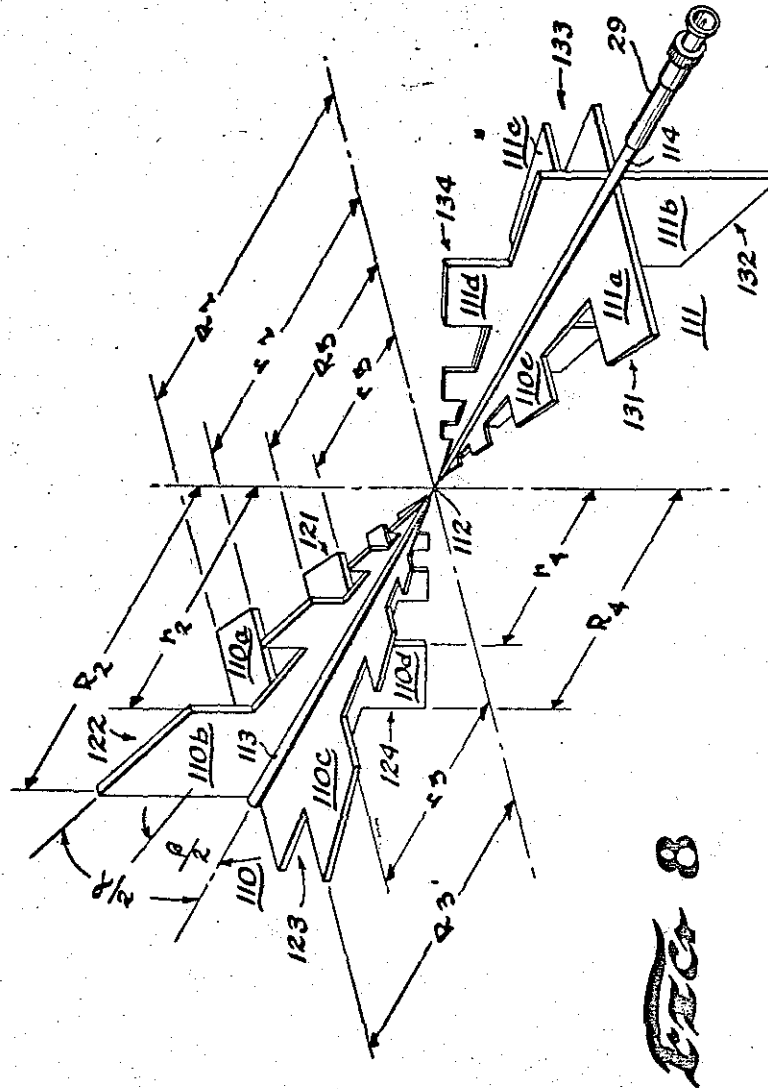
R. H. DU HAMEL ET AL

3,079,602

LOGARITHMICALLY PERIODIC ROD ANTENNA

Filed March 14, 1958

9 Sheets-Sheet 5



8

INVENTORS
RAYMOND H. DUHAMEL
FRED R. ORE
BY *Moody and Goldman*
ATTORNEYS

Feb. 26, 1963

R. H. DU HAMEL ET AL

3,079,602

LOGARITHMICALLY PERIODIC ROD ANTENNA

Filed March 14, 1958

9 Sheets-Sheet 6

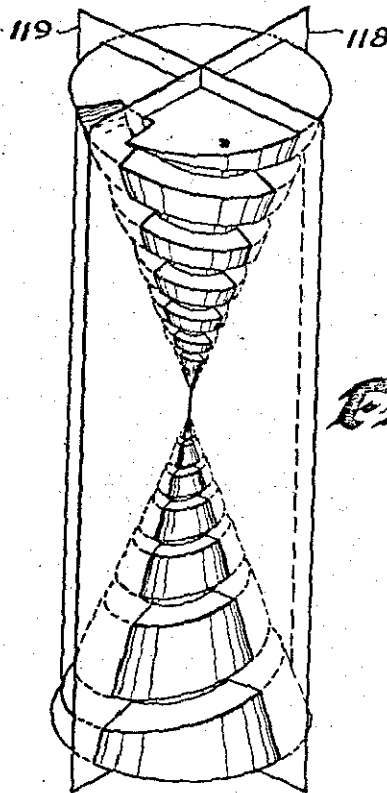


Fig. 9

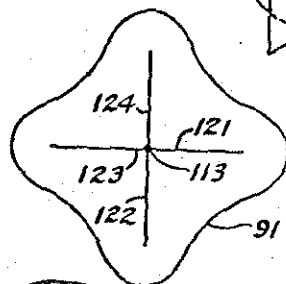


Fig. 10(A)

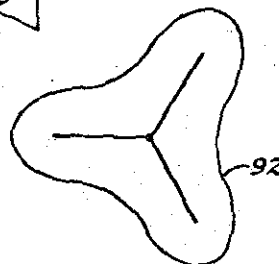


Fig. 10(B)

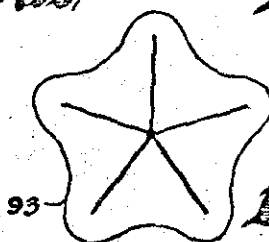


Fig. 10(C)

INVENTORS
RAYMOND H. DUHAMEL
FRED R. ORE

BY *Moody and Goldman*

ATTORNEYS

Feb. 26, 1963

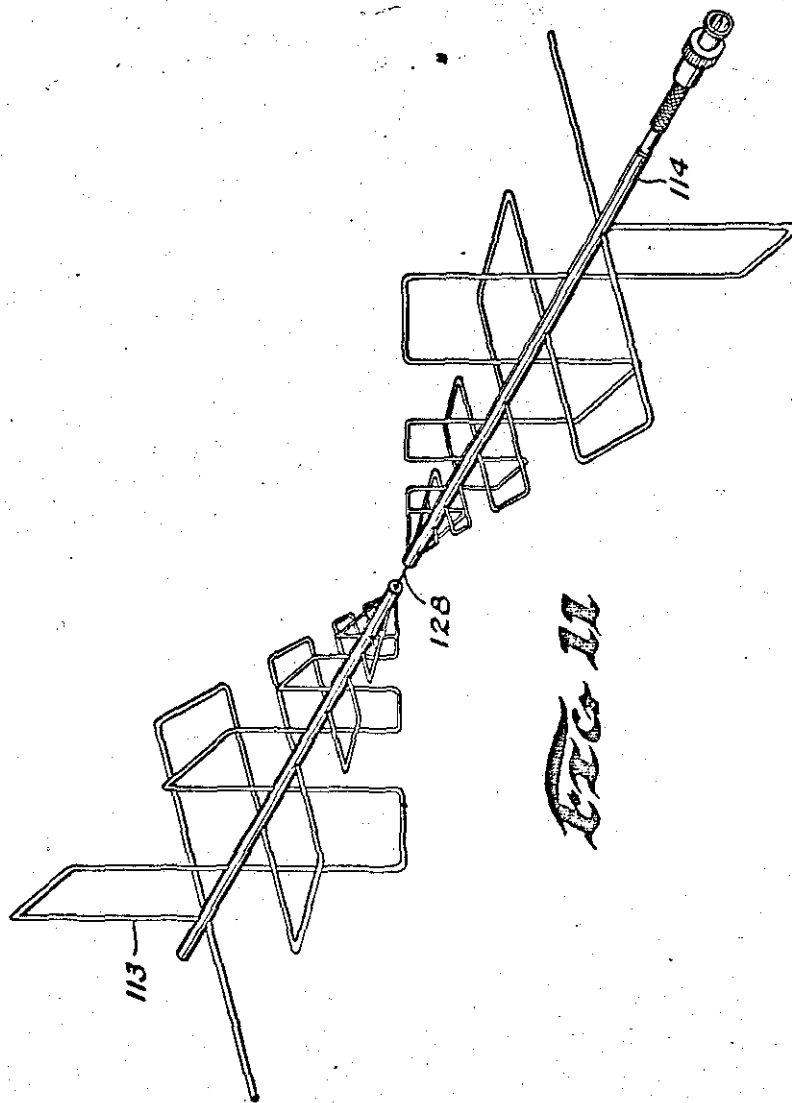
R. H. DU HAMEL ET AL

3,079,602

LOGARITHMICALLY PERIODIC ROD ANTENNA

Filed March 14, 1958

9 Sheets-Sheet 7



W.C. & M.

INVENTORS
RAYMOND H. DUHAMEL
FRED R. ORE
BY *Moody and Goldman*
ATTORNEYS

Feb. 26, 1963

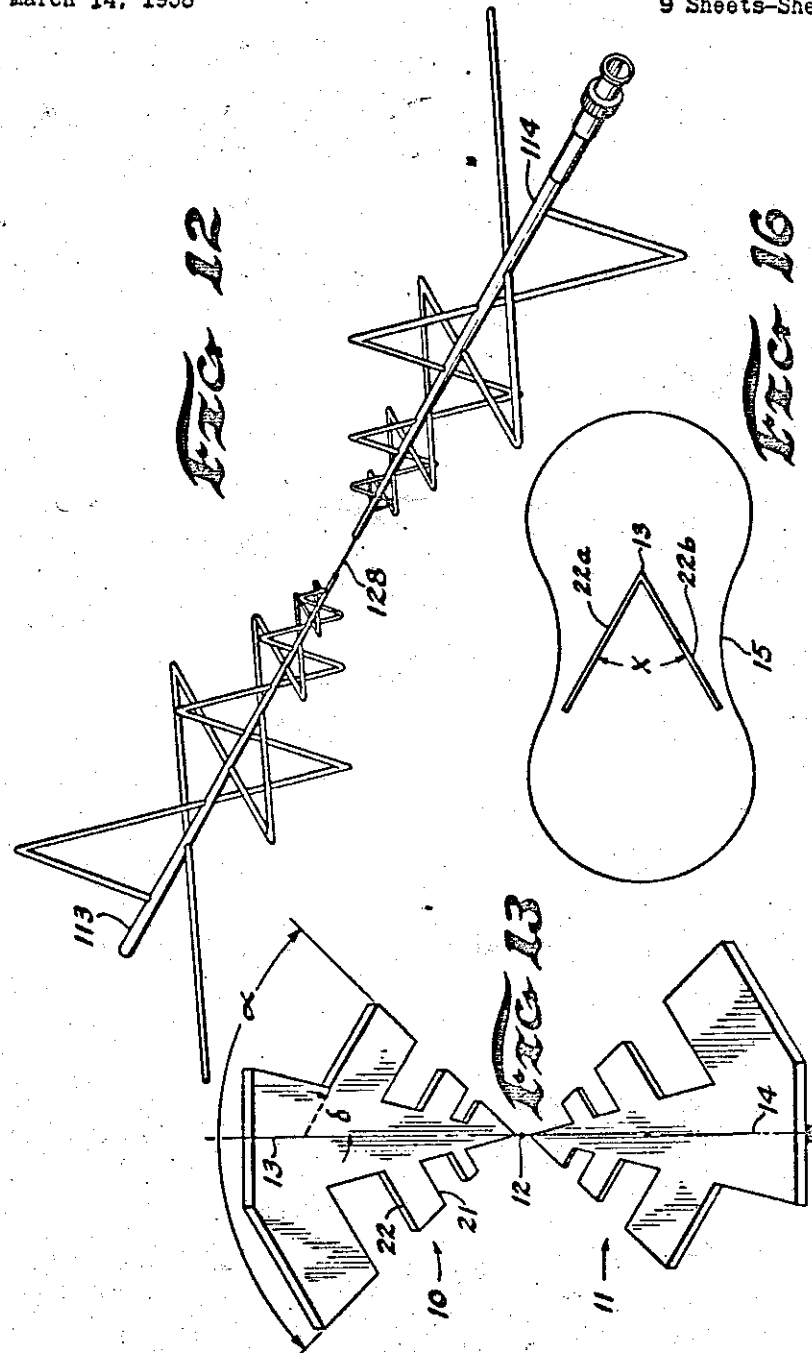
R. H. DU HAMEL ET AL

3,079,602

LOGARITHMICALLY PERIODIC ROD ANTENNA

Filed March 14, 1958

9 Sheets-Sheet 8



INVENTORS
RAYMOND H. DUHAMEL
FRED R. ORE
BY *Wooly and Goldstein*
ATTORNEYS

Feb. 26, 1963

R. H. DU HAMEL ET AL

3,079,602

LOGARITHMICALLY PERIODIC ROD ANTENNA

Filed March 14, 1958

9 Sheets-Sheet 9

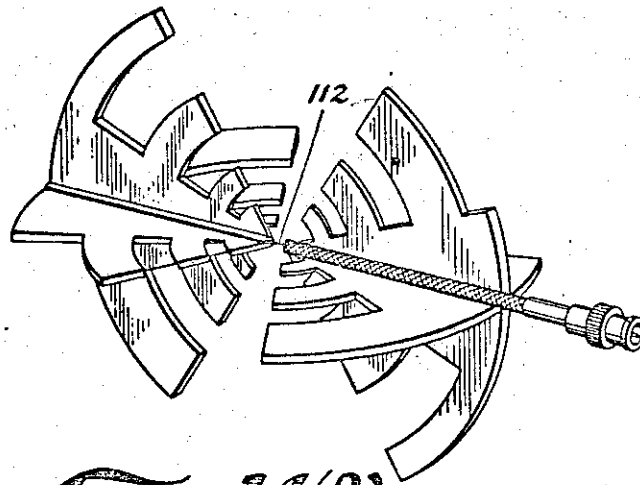


FIG. 14(A)

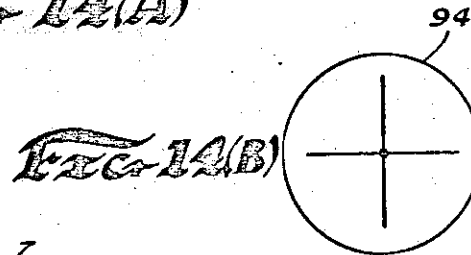


FIG. 14(B)

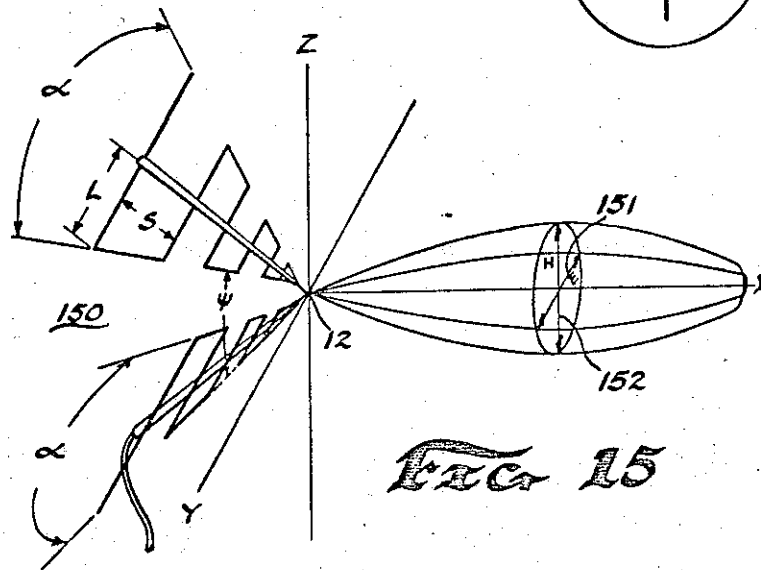


FIG. 15

INVENTORS
RAYMOND H. DUHAMEL
FRED R. ORE

BY *Moody and Goldman*

ATTORNEYS