

University of Illinois Foundation v. Blonder Tongue v. JFD

Depositions 10/24/66
FOUNDATION EXHIBITS

- U-1 Dart antenna
- U-1a Hardware (bag)
- U-2 Instruction Sheet for Exhibit 1
- U-3 Golden Arrow
- U-3a Mounting hardware - Golden Arrow
- U-4 Golden Arrow instruction sheet
- U-5 Golden Arrow carton
- U-6 Manufacturing drawing-wire forms - Dart Earlier SK0527
- U-7 Manufacturing drawing-wire forms - Dart Later MD-1551-6
- U-8 Manufacturing drawing - wire forms - Arrow MC-1658-C
- U-9 Schenfeld notebook No. 4
- U-10 Wickert letter to Tongue - 7/25/66

University of Illinois Foundation v. Blonder Tongue v. JFD

Depositions 10/24/66
FOUNDATION EXHIBITS

U-1	Dart antenna
U-1a	Hardware (bag)
U-2	Instruction Sheet for Exhibit 1
U-3	Golden Arrow
U-3a	Mounting hardware - Golden Arrow
U-4	Golden Arrow instruction sheet
U-5	Golden Arrow carton
U-6	Manufacturing drawing-wire forms - Dart Earlier SK0527
U-7	Manufacturing drawing-wire forms - Dart Later MD-1551-6
U-8	Manufacturing drawing - wire forms - Arrow MC-1658-C
U-9	Schenfeld notebook No. 4
U-10	Wickert letter to Tongue - 7/25/66

University of Allencoe Foundation v. Blouin Tongue v
J PD

~~Plly. Ex.~~ Deposition 10/24/66 -
Foundation Exhibits

- U-1 - Dart container ~~A~~ U-1a Hardware (bag)
- U 2 - Instruction sheet for Ex 1
- U 3 Golden Arrow
- U 3a - Mounting hardware Golden Arrow
- U 4 - Golden Arrow inst. sheet.
- U 5 - " " Carton
Manufacturing drawing - wireforms
- U 6 - ~~1/2" drawing wire forms~~ Part label SK0527
- U 7 - " " " " label MD-1551-6
- U 8 " " " " label MC-1658-C
- U 9 Schenfeld ^{not a book} HB # 4
- U 10 Wicket letter to Tongue - 7/25/66 -

November 3, 1966

Mr. Myron C. Cass
Silverman & Cass
105 West Adams Street
Chicago, Illinois 60603

RE: UIF v. BT v. JFD

Dear Mike:

* I enclose copies of the following Blonder Tongue
drawings:

<u>Drawing No.</u>	<u>Deposition Exhibit No.</u>
SK-0527	U-6
MD-1551-6	U-7
MC-1658-C	U-8

Very truly yours,

Richard S. Phillips

RSP:iag

* Enclosures

July 25, 1966

Mr. Ben H. Tongue
Blonder-Tongue Laboratories, Inc.
9 Alling Street
Newark, New Jersey

UNITED STATES DISTRICT COURT
NORTHERN DISTRICT OF ILLINOIS
BEFORE JUDGE HOFFMAN

DEFENDANT EX. NO. _____
DOROTHY L. BRACKENBURY
OFFICIAL COURT REPORTER

Dear Mr. Tongue:

Subject: University of Illinois Log Periodic
Antenna Patents.

I am sorry that I have been unable to reach you by phone during the past two weeks. The purpose of my calls has been to confirm the information that I believe you may already have concerning the availability of licenses under the University of Illinois Foundation antenna patents and patent applications.

Our exclusive agreement with our licensee is limited specifically to the field of receiving antennas for television and frequency modulation (FM) broadcasting stations and antennas for amateur and citizen's band transmission and reception. Our licensee has the right to and has agreed to sublicense within this field and would be happy to discuss terms and conditions for such sublicense. In all other fields, non-exclusive licenses can be obtained directly from us. We would also be happy to discuss terms with you in this connection. In order that you may have ready access to the specific patents that have issued, I have enclosed a schedule of these issued patents. The various patent applications can be discussed in connection with a discussion of terms.

University Patents, Inc. is an affiliate of the University of Illinois Foundation and is charged with the responsibility of handling all of the University's patent assets and programs.

Very truly yours,

Emil W. Wickert
Vice President

EMW/bcm
Enclosure

Ex U-10

July 25, 1966

Mr. Don H. Tongue
Blonder-Tongue Laboratories, Inc.
9 Alling Street
Newark, New Jersey

Dear Mr. Tongue:

Subject: University of Illinois Log Periodic
Antenna Patents.

I am sorry that I have been unable to reach you by phone during the past two weeks. The purpose of my calls has been to confirm the information that I believe you may already have concerning the availability of licenses under the University of Illinois Foundation antenna patents and patent applications.

Our exclusive agreement with our licensee is limited specifically to the field of receiving antennas for television and frequency modulation (FM) broadcasting stations and antennas for amateur and citizen's band transmission and reception. Our licensee has the right to and has agreed to sublicense within this field and would be happy to discuss terms and conditions for such sublicense. In all other fields, non-exclusive licenses can be obtained directly from us. We would also be happy to discuss terms with you in this connection. In order that you may have ready access to the specific patents that have issued, I have enclosed a schedule of these issued patents. The various patent applications can be discussed in connection with a discussion of terms.

University Patents, Inc. is an affiliate of the University of Illinois Foundation and is charged with the responsibility of handling all of the University's patent assets and programs.

Very truly yours,

Emil W. Wickert
Vice President

EMW/bcm
Enclosure

Ex U-10

October 24, 1966

Mr. I. Irving Silverman
Silverman & Cass
105 West Adams Street
Chicago, Illinois 60603

RE: University of Illinois Foundation
v. Blonder-Tongue Laboratories
v. JFD Electronics Corporation

Dear Mr. Silverman:

This supplements our letter of October 7, 1966, in connection with the depositions of Prof. Mayes and Mr. Finkel to be taken on October 24. We request that you produce:

1. Copies of all advertisements, circulars, catalogs, news releases, brochures, instructions to distributors and salesmen, memoranda, and other writings dealing with leg-periodic antennas manufactured by JFD under its license from University of Illinois Foundation under Isbell 3,210,767 and/or Mayes et al Re.25,740 (hereinafter, "said patents") and the patent applications that matured into said patents.

2. Copies of all correspondence, documents, and other writings between University of Illinois and/or University of Illinois foundation and JFD and others relating to all license agreements under said patents, all negotiations for such licenses and the administration of such licenses, including but not limited to, the policing of said patents by way of suits against alleged infringers of the patent in suit including Blonder-Tongue.

3. Copies of all correspondence, memoranda, documents and other writings relating to the authorization of JFD to use the name of any and all of University of Illinois, University of Illinois Foundation, the inventor of said patents or other employees of University of Illinois and University

*Not to
Proc. have any
claims re negot.
for license*

October 24, 1966

of Illinois Foundation in connection with log-periodic antennas, advertisements relating thereto and said patents.

4. Copies of all correspondence, documents and other writings relating to the hiring by JFD of the former Blonder-Tongue antenna department manager.

5. Any employment contract with such former manager.

6. Copies of the drawings of all JFD log-periodic antennas embodying the invention of said patents together with the dates that such antennas were first manufactured including but not limited to JFD antenna models set forth in paragraph 14 of the counterclaim herein. (LPV-V#18, 15, 12, 9 and 6, LPV-TV 19, 16, 13 and 10)

In addition we wish:

7. Any employment agreement between Paul Mayes and JFD.

8. Any other agreement between Paul Mayes and JFD relating to the antennas manufactured by JFD.

Blonder-Tongue has no objection to the addition to the lawsuit of Mayes et al Re.25,740 provided the University of Illinois Foundation and JFD agree that any Blonder-Tongue patent which issues subsequently hereto may also be added.

Very truly yours,

Richard S. Phillips

RSP:iag

cc: Mr. William A. Marshall
Mr. Robert H. Rines

JFD

Date for gain curve of B33 +

names of parties who took date -

123900001 - part drawing - aslts

Document re procedure + call of B9 ext. to JFD lab.

Mayer - check for meeting re using same +
factor in BLS -

Topic from U.I.F.

Isbell report re early antenna work -
log periods
Collected articles re log periodic antenna.

Accounts + copies of all pages of NB that has a
log + test of linear log period. Isbell, Mayes
Canoll -

Invention disclosure to Patent Council -
re Isbell 3,210,767
3,108,280 (RE 25,740)

University
document

Photographs of antennas developed by M &
bearing on 3,108,280 - as they existed prior to
10/31/62 + (if any) subsequent to -
Check Foundation files -

Agreement between U.I.F. and Prof Mayes

Identify technicians

Any Foundation writing request -

Ex. A to agreement + (B 24) - if any.

U.I.F. →

Survey of ~~collectors~~ application of log-
periodic antennas. Mayes Questionnaire
Employment agreement

JFD

Data for gain curve of B33+

names of people who took data -

123900001 - part drawing - available

Document is present + xcell = B7 out. to JFD lab.

Moore - check for meeting re usage same +
factors in ODS -

October 28, 1966

VIA AIR MAIL

Mr. Robert H. Rines
c/o Mr. Isaac S. Blonder
Blonder Tongue Laboratories Inc.
9 Alling Street
Newark, New Jersey 07102

Dear Bob:

* I enclose the material which was produced on behalf
of JFD after you left this morning. I did not keep copies in
our file. The letters are divided into three groups, one re-
* relating to the approval and disapproval of advertising, a
second relating to the Foundation news releases, and a third
of advertising material supplementing the duplicate originals
you already have.

Cass put several qualifications on the material which
he turned over to me. These are as follows:

1. We have all correspondence relating to approved
ad copy or ad copy which was used by JFD with-
out approval and to which the Foundation ob-
jected. We do not have correspondence relating
to advertising material proposed by JFD, objected
to by the Foundation and not used.
2. There were no JFD news releases.
3. With regard to suits against other infringers,
they have given us copies of the letters from
JFD to the Foundation and letters from the
Foundation advising of the filing of suits.
They will not supply, without a court order,
correspondence relating to infringement allega-
tions by parties who have not been sued or
relating to pending lawsuits.

October 28, 1966

4. The last category which we had requested is as follows: "any other questions or relationships between the parties with respect to the licenses". JFD objects to this characterization as too broad and indefinite and will not produce anything further along this line without a court order. I think I can draft some additional specific areas of inquiry which relate directly to the allegations of the counterclaim. Your examination of Mr. Finkle may suggest other specific areas of inquiry. After you have completed your examination of Finkle, we can discuss how much more you would like to try for along this line.

I will send on to you when they are completed the various lists of exhibits, information to be produced, and the like. I wanted to get the enclosed material into the mail as soon as possible so that you would be sure to have it on Tuesday.

Sincerely yours,

Richard S. Phillips

RSP:iag

* Enclosures

Cass

10/28/66

1) All re approval & disapproval of ads.
Have been discussions re ads which
did not appear - but got

2 - No JFD news release

3 - None

4 - Orig. notice from JFD to VIF w/ refs
to those ref which have been sent -
others - not relevant -

No material between JFD & VIF are pending
of lawsuits -

re No 5 - have to prove need -

All correspondence, documents and other writings between JFD and the University of Illinois and/or the University of Illinois Foundation or others with respect to the relationship between the parties to the license, including

the approval or disapproval of advertising matter or other literature

news releases by University of Illinois Foundation

news releases by JFD

prosecution of infringers

notices relating to breach

any other questions or relationships between the parties with respect to the licenses;

Excepting - Royalty reports.

10/27/66

Handed to Cass - OK

RSP

All correspondence, documents and other writings between JFD and the University of Illinois and/or the University of Illinois Foundation or others with respect to the relationship between the parties to the license, including

the approval or disapproval of advertising matter or other literature

news releases by University of Illinois Foundation

news releases by JFD

prosecution of infringers

notices relating to breach

any other questions or relationships between the parties with respect to the licenses;

Excepting - Royalty reports.

administration of license - make use license
Royalty reports - NO

Policy - OK

3 - OK

4 - OK - None yet - Berlin looking for -

5 - OK - looking -

6 - OK

7 - OK - not.

All ~~documents~~ correspondence, documents and other
writings between ^{JPD and} the University of Illinois and/or the
University of Illinois Foundation ^{or others} relating to the
with respect to the relationship between the parties
to the license including, but not limited to, the
the approval or disapproval of advertising
the ~~release~~ ^{matter or other literature}

News releases by UIF

News release by JPD

Prosecution of infringers

Notice relating to breach

any other questions or relationships ^{between the parties} with respect to

the license

Excepting - Royalty reports

October 28, 1966

Mr. James J. Costello
Legal Counsel
University of Illinois
258 Administration Building
Urbana, Illinois

Dear Mr. Costello:

In accordance with our telephone conversation, I have prepared subpoenas identifying the material we wish and have mailed them directly to Prof. Mayes and Mr. Porter. Copies are enclosed for your information. If there is any question regarding the identification of the material requested from Prof. Mayes, please call me.

Very truly yours,

Richard S. Phillips

RSP:iag

Enclosures

cc: Prof. Paul E. Mayes
Mr. Earl W. Porter
Mr. Robert H. Rines
Mr. Basil F. Mann
Mr. Myron C. Cass

United States District Court

FOR THE

NORTHERN DISTRICT OF ILLINOIS

THE UNIVERSITY OF ILLINOIS FOUNDATION,
Plaintiff & Counterclaim Defendant,
- v -
BLONDER-TONGUE LABORATORIES INC.,
Defendant & Counterclaimant,
- v -
JFD ELECTRONICS CORPORATION,
Counterclaim Defendant.

CIVIL ACTION FILE NO.

No. 66 C 567

TO: Earl W. Porter
Secretary of the Board of Trustees
of the University of Illinois
Administration Building
University of Illinois
Urbana, Illinois

YOU ARE HEREBY COMMANDED to appear in the United States District Court for the
produce for inspection and District copying at the offices of
at Chicago, Illinois:
Merriam, Marshall, Shapiro & Klose, 30 West Monroe Street,
Chicago, Illinois:
Employment agreements between the University of Illinois and Robert L.
Carrel, Dwight E. Isbell and Paul E. Mayes.

October 28, 1966.

Hofgren, Wegner, Allen, Stellman & McCord
Attorney for Blonder-Tongue Laboratories,
20 North Wacker Drive,
Chicago, Ill. 60606

By: Robert C. Wagner, Clerk.
William E. Purdy, Deputy Clerk.

RETURN ON SERVICE

Received this subpoena at _____ on
and on _____ at _____
served it on the within named _____
by delivering a copy to h _____ and tendering to h _____ the fee for one day's attendance and the mileage
allowed by law.1

Dated: _____, 19____ By _____

Service Fees
Travel\$
Services
Total\$

Subscribed and sworn to before me, a _____ this
day of _____, 19 _____

1 Fees and mileage need not be tendered to the witness upon service of a subpoena issued in behalf of the United States or an officer or
agency thereof. 28 USC 1825.

NOTE.—Affidavit required only if service is made by a person other than a United States Marshal or his deputy.

United States District Court

FOR THE

NORTHERN DISTRICT OF ILLINOIS

CIVIL ACTION FILE No. 660...567

THE UNIVERSITY OF ILLINOIS FOUNDATION,
Plaintiff & Counterclaim Defendant,
vs.
BLONDER-TONGUE LABORATORIES, INC.,
Defendant & Counterclaimant,
v.
JFD ELECTRONICS CORPORATION,
Counterclaim Defendant.

No.

TO: Paul E. Mayes
Room 455, Electrical Engineering Bldg.
University of Illinois
Urbana, Illinois

YOU ARE HEREBY COMMANDED to appear in the United States District Court for the
produce for inspection and District of copying at the offices of
atx in the city ofx CH
the day of IX at Clerk MXS
atx on behalf of Merriam, Marshall, Shapiro & Klose, 30 West Monroe Street,
Chicago, Illinois:

- 1. Photographs of antennas developed by Mayes, Carrel, Isbell or others
at the University of Illinois Antenna Laboratory relating to the disclosures
of U.S. patents 3,108,280 or 3,210,767 as they existed prior to October 31,
1962, and (if any) subsequent thereto. These photographs should include all
photographs of television antennas assembled by Mayes, Carrel or others
using the funds granted to them by the University of Illinois Foundation.
2. A copy of the results of the survey of applications of log periodic
antennas.

October 28, 1966.
Hofgren, Wegner, Allen, Stellman & McCord
Blonder-Tongue Laboratories, Inc.
Attorney for
20 North Wacker Drive
Address Chicago, Ill. 60606

Robert A. Wagner, Jr. Clerk
By William E. Kiley, Deputy Clerk.

RETURN ON SERVICE

Received this subpoena at on
and on at
served it on the within named
by delivering a copy to h and tendering to h the fee for one day's attendance and the mileage
allowed by law.

Dated:
, 19
By:

Service Fees
Travel \$
Services
Total \$

Subscribed and sworn to before me, a
day of , 19

* Fees and mileage need not be tendered to the witness upon service of a subpoena issued in behalf of the United States or an officer or
agency thereof. 28 USC 1826.
NOTE.—Affidavit required only if service is made by a person other than a United States Marshal or his deputy.

10/20/66

James J. Carallo

258 Admin. Bldg.

Urbana

Ph - 333-0562

1) Photographs of ^{or antennas} antennas developed by
 Hayes, Caral, Ishikawa or others relating
 to the declassification 3108, 280 or 10/31/62
 3, 210, 767 or the executed prior to ^{and}
 (if any) subsequent ^{there} ~~there~~
 Include list photo of antennas or antenna
 used by Hayes, Caral or others will grant from U.S.F.
 J.

2) Survey of application of log periodic
 antenna

The
 Sec/Bldg of
 Trustees of
 the Univ. Ill.
 W. Porter

3) Employment agreement between U/I
 and Caral
 Ishikawa
 Hayes.

Admin Bldg
 455 E. Lab. Bldg.
 Rem.

LAW OFFICES

Silverman & Cass

PATENTS · TRADEMARKS · COPYRIGHTS

105 W. ADAMS STREET · CHICAGO, ILLINOIS, U.S.A. 60603

I. IRVING SILVERMAN
MYRON C. CASS
SIDNEY N. FOX

JAMES L. KNIGHT
GERALD R. HIBNICK, IND. BAR

TELEPHONE 726-6006
AREA CODE 312
CABLE: SILCAS

October 31, 1966

Mr. Richard S. Phillips
Hofgren, Wegner, Allen, Stellman & McCord
20 North Wacker Drive
Chicago, Illinois, 60606

Re: 66 C 567 - UIF vs BT vs JFD

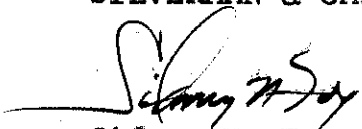
Dear Mr. Phillips:

We are enclosing herewith copies of the test data involving the design of the LPV VU 18. This material comprises the test sheets given to Dr. Mayes by JFD Laboratories at Champaign for transmittal to the attorneys of JFD and presented to you at the deposition of Dr. Mayes.

An identical set of copies is being transmitted to Mr. Mann, attorney for the University of Illinois Foundation.

Very truly yours,

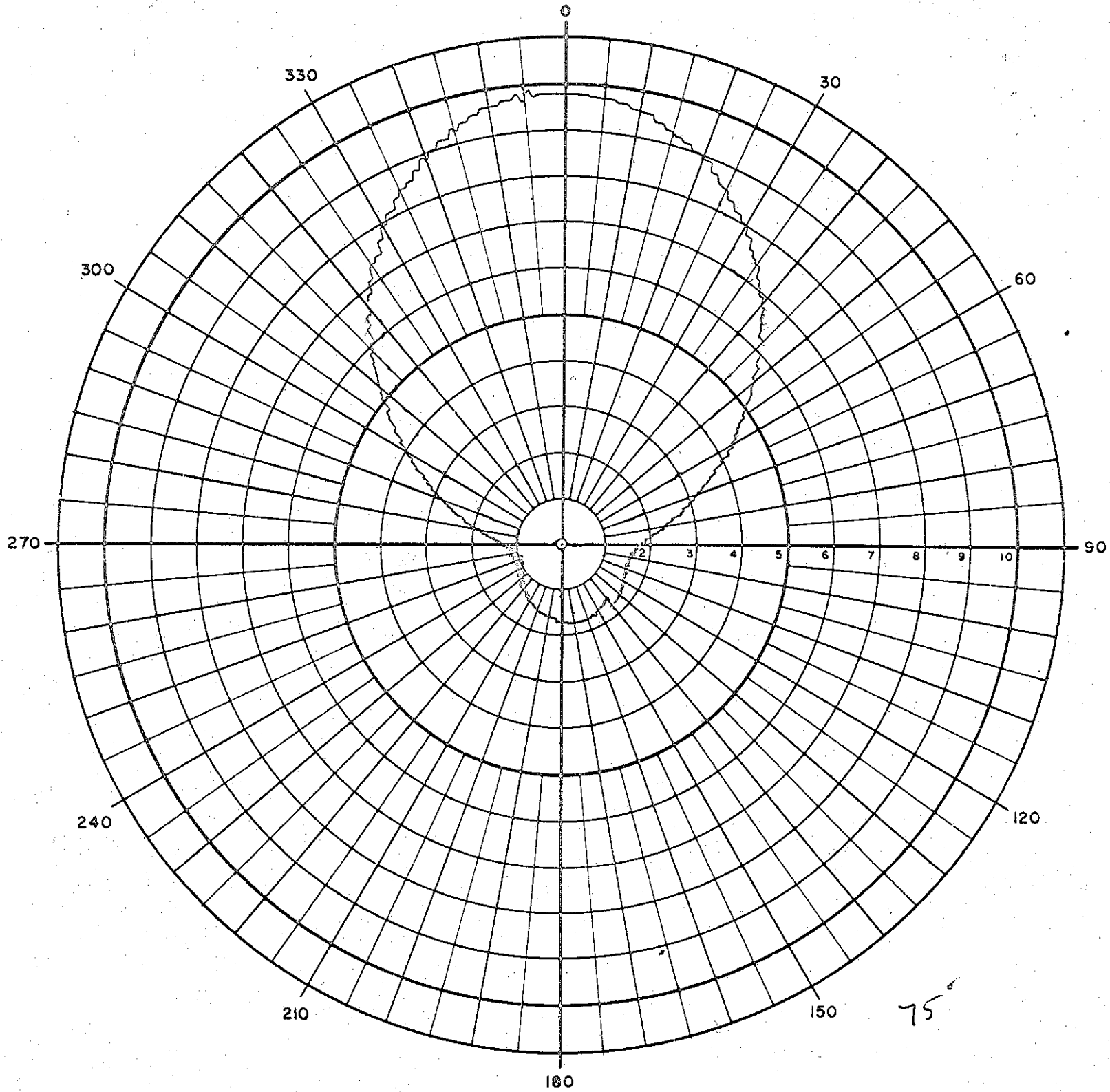
SILVERMAN & CASS


Sidney N. Fox

SNF:MH
Encl.

714 1/2 SO. RANDOLPH

CHAMPAIGN, ILLINOIS

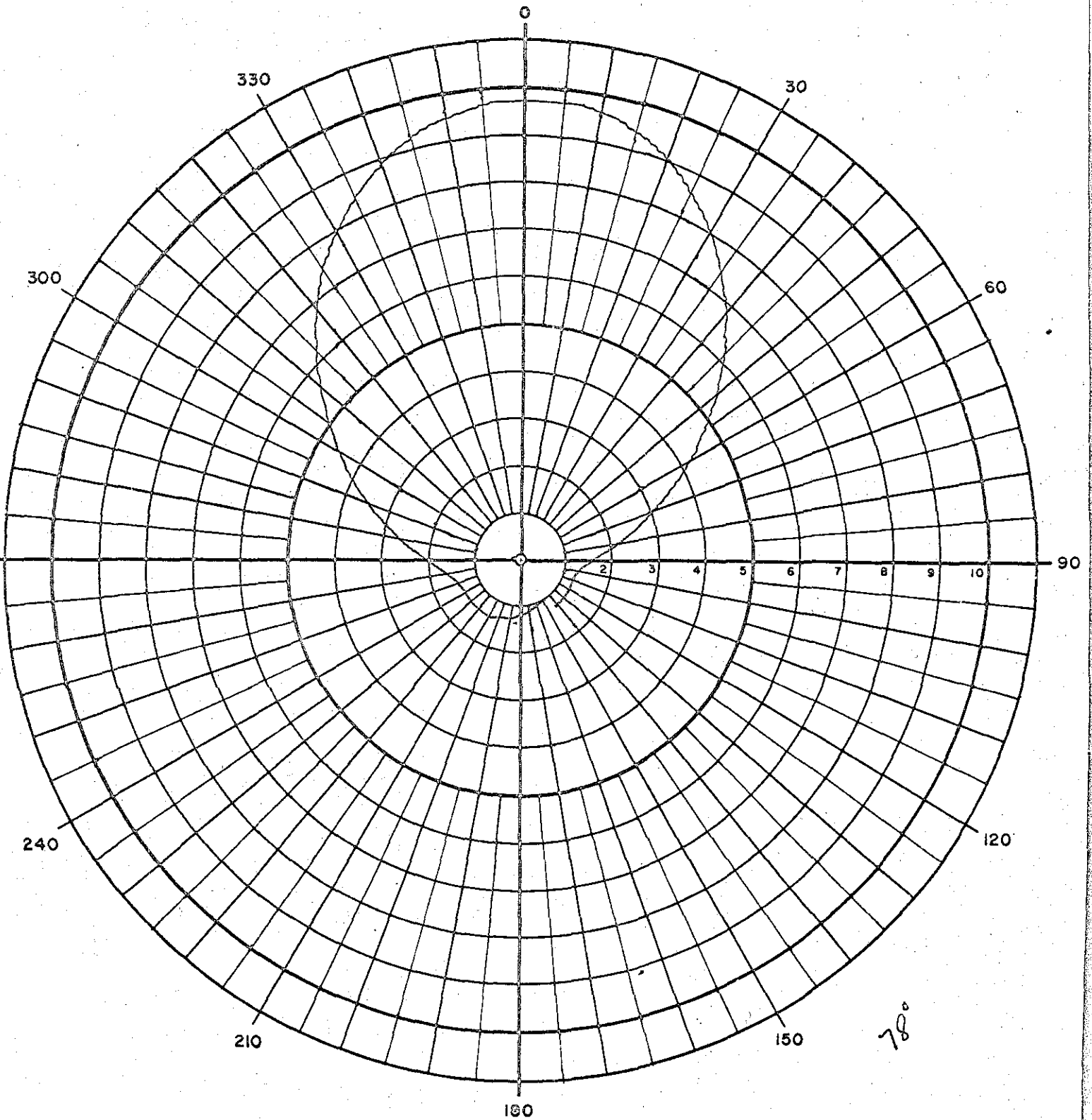


ANTENNA: <u>VULPV-18-L</u>	PATTERN NO.: _____
POLARIZATION: <u>E</u> CUT: $\phi =$ _____ $\theta =$ _____	DATE: <u>12-3-63</u>
REMARKS: _____	FREQUENCY: <u>50 52</u>
_____	_____
_____	_____

JFD RESEARCH & DEVELOPMENT LABS, INC.

714 1/2 SO. RANDOLPH

CHAMPAIGN, ILLINOIS

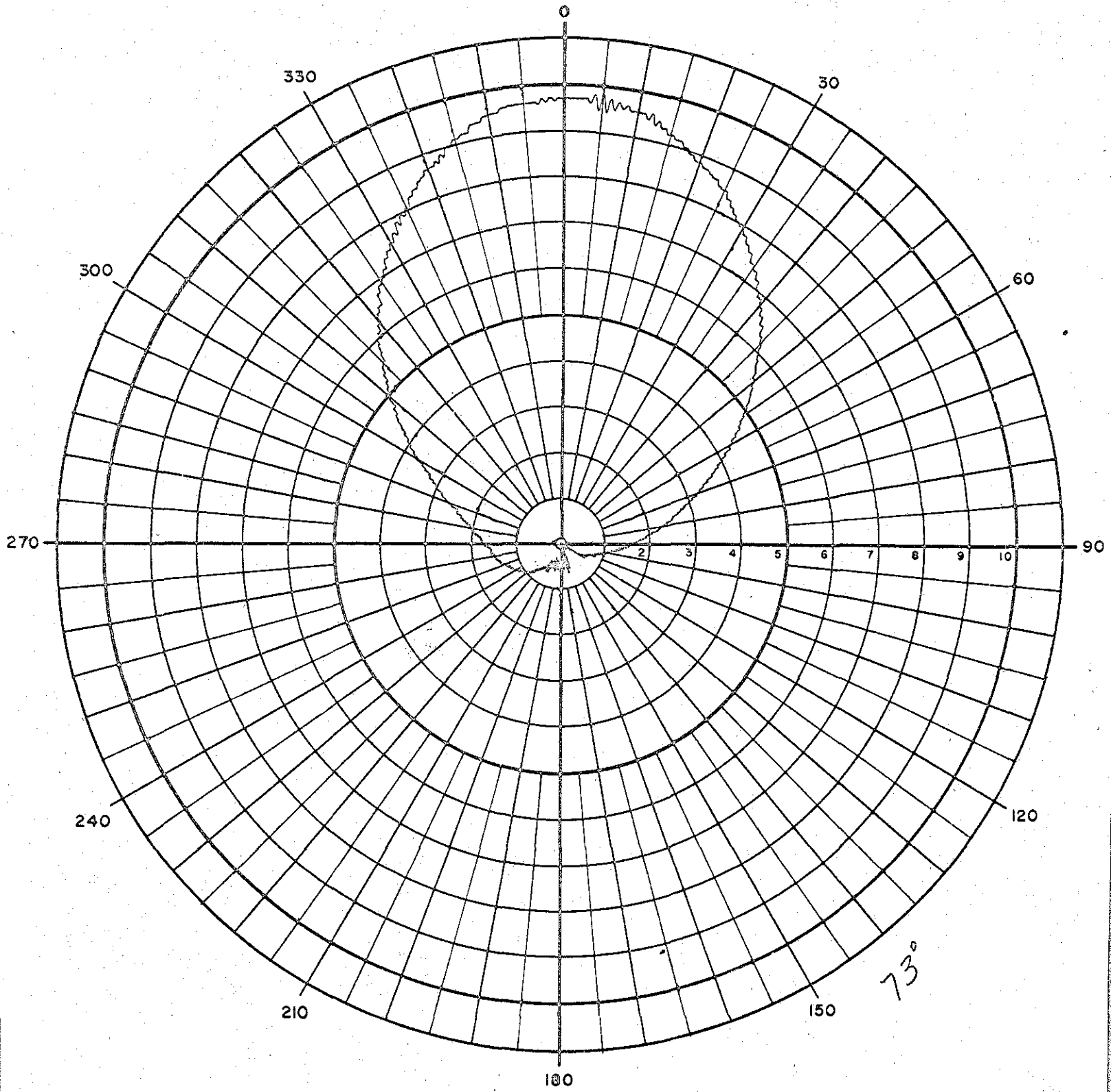


ANTENNA: <u>VULPV-18-L</u>	PATTERN NO.:
POLARIZATION: <u>VERTICAL</u> CUT: $\phi =$ _____ $\theta =$ _____	DATE: <u>12-3-63</u>
REMARKS: <u>E PLANE</u>	FREQUENCY: <u>54</u>
<u>Tom G. Terry, D.</u>	

JFD RESEARCH & DEVELOPMENT LABS, INC.

714 1/2 SO. RANDOLPH

CHAMPAIGN, ILLINOIS

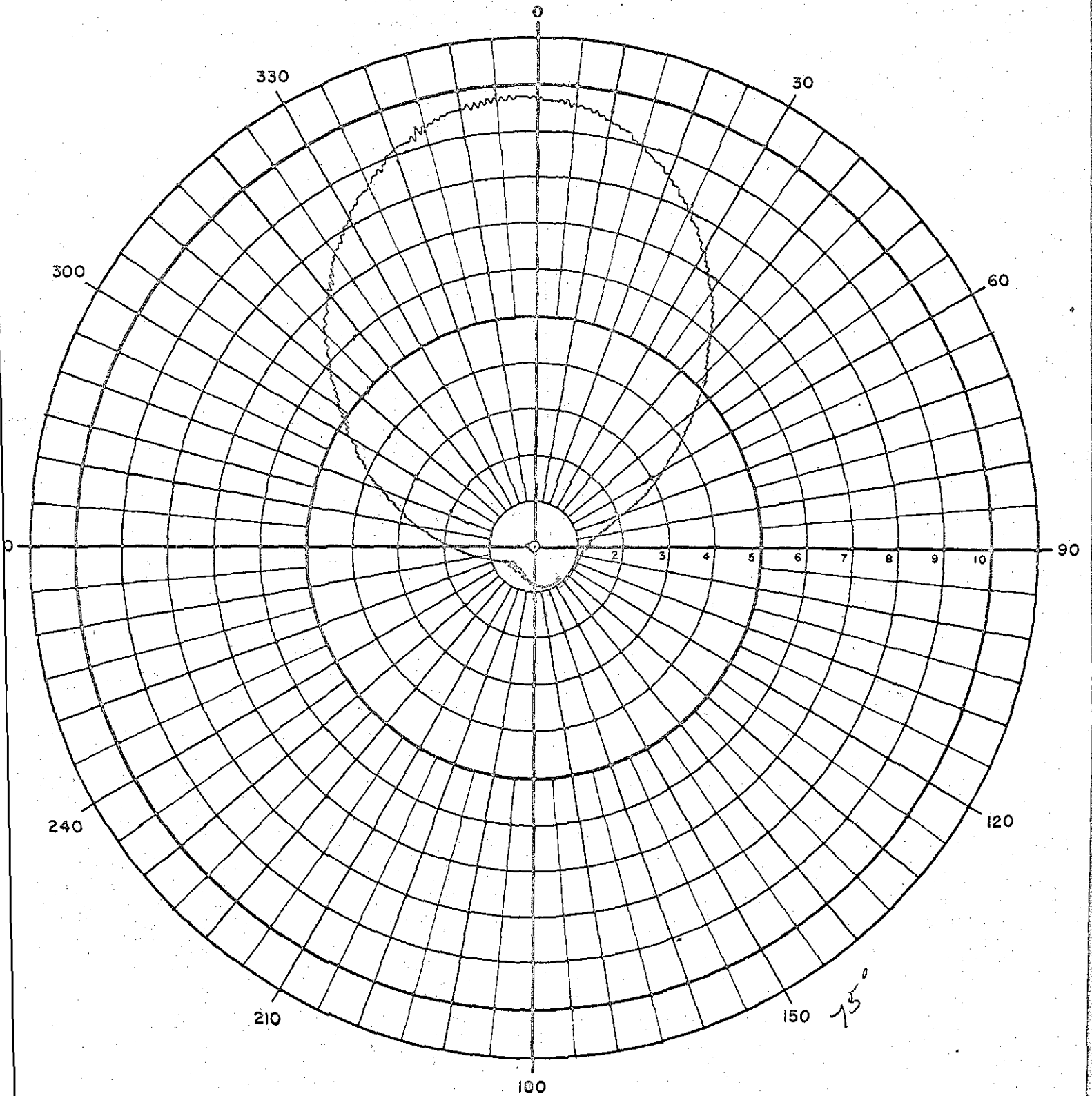


ANTENNA: <u>VULPV-18-Z</u>	PATTERN NO.:
POLARIZATION: <u>E</u> CUT: $\phi =$ _____ $\theta =$ _____	DATE: <u>12-3-63</u>
REMARKS: _____	FREQUENCY: <u>60</u>

JFD RESEARCH & DEVELOPMENT LABS, INC.

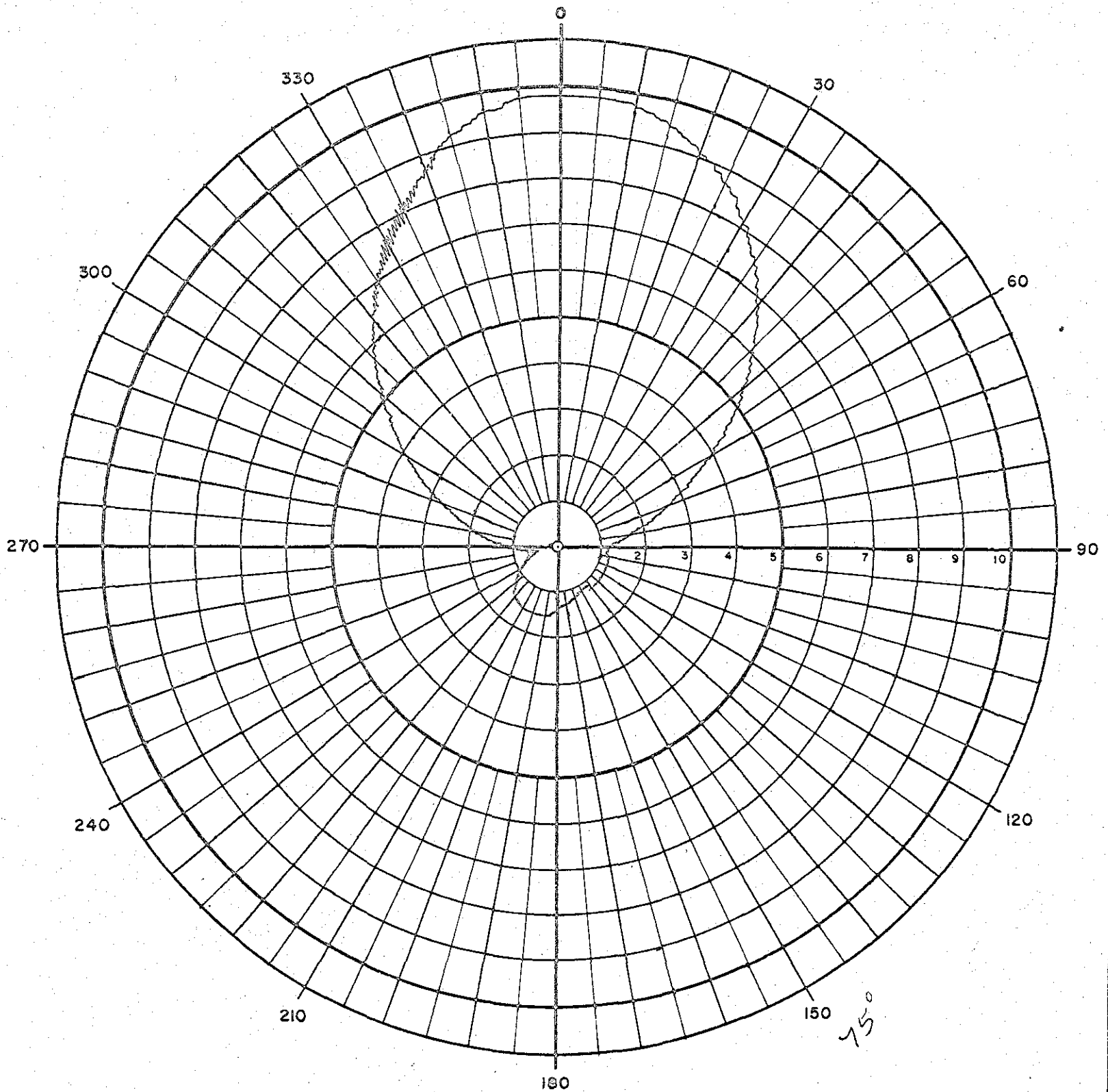
714 1/2 SO. RANDOLPH

CHAMPAIGN, ILLINOIS



75°

ANTENNA: <u>VULPV-18-L</u>	PATTERN NO.:
POLARIZATION: <u>E</u> CUT: $\phi =$ <u> </u> $\theta =$ <u> </u>	DATE: <u>12-3-63</u>
REMARKS: <u> </u>	FREQUENCY: <u>66</u>
<u>Ron J. Ferry</u>	

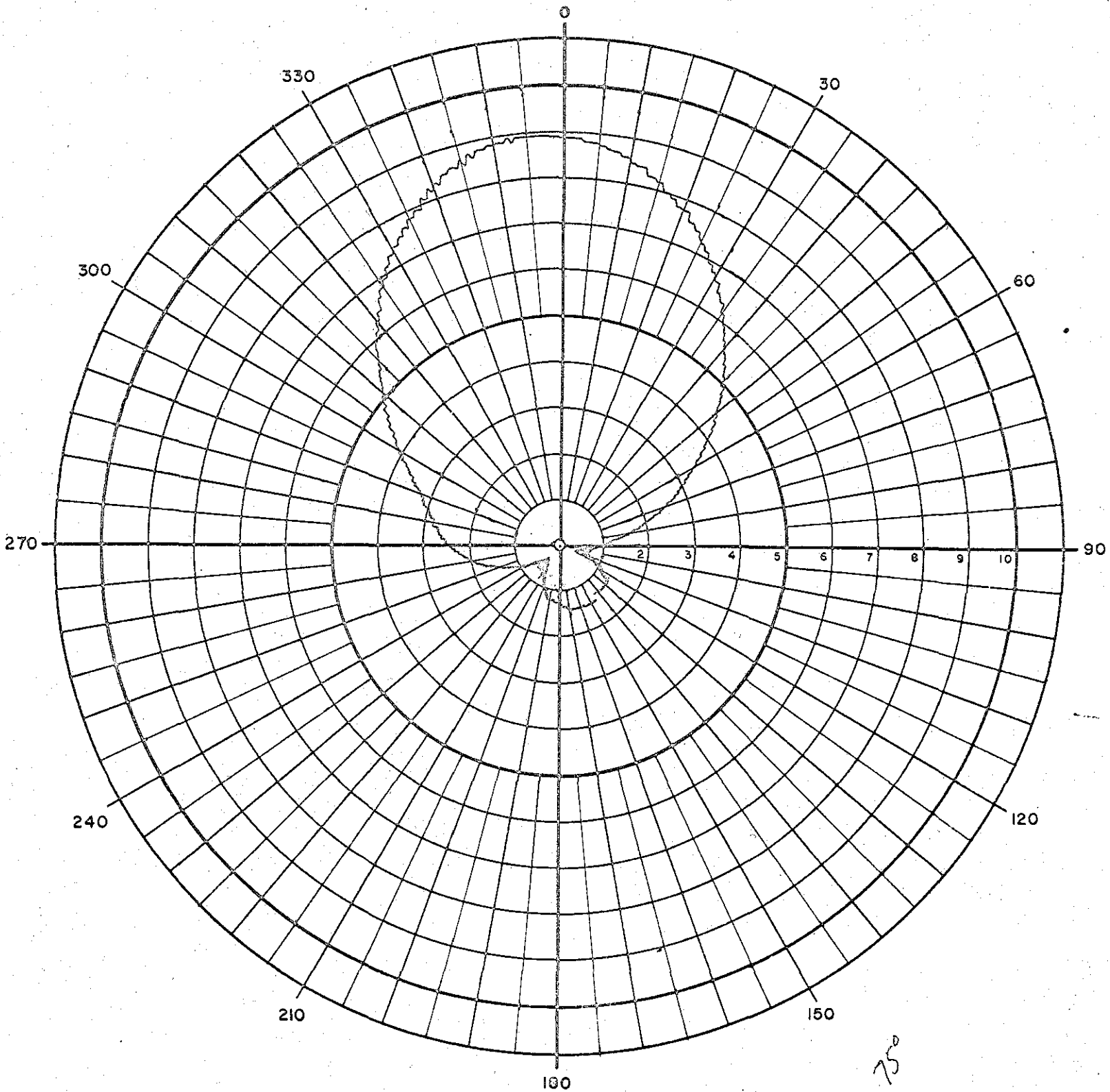


ANTENNA: <u>VULPV-18-L</u>	PATTERN NO.:
POLARIZATION: <u>F</u> CUT: $\phi =$ $\theta =$	DATE: <u>12-3-63</u>
REMARKS: _____	FREQUENCY: <u>92.7</u>

JFD RESEARCH & DEVELOPMENT LABS, INC.

714 1/2 SO. RANDOLPH

CHAMPAIGN, ILLINOIS

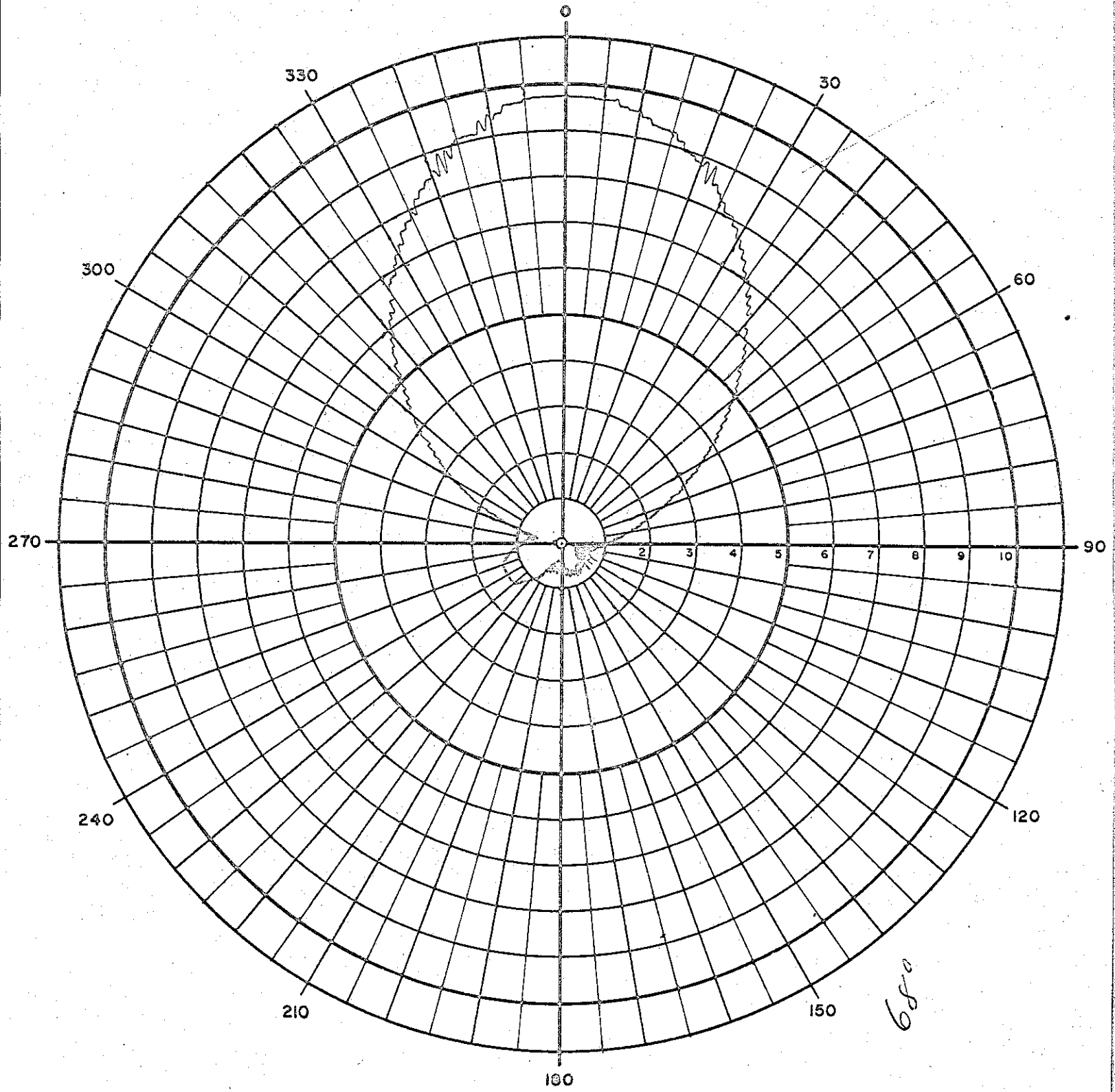


ANTENNA:	VULPV-18-L	PATTERN NO.:	
POLARIZATION:	E	CUT: $\phi =$	$\theta =$
REMARKS:		DATE:	12-3-63
		FREQUENCY:	78

JFD RESEARCH & DEVELOPMENT LABS, INC.

714 1/2 SO. RANDOLPH

CHAMPAIGN, ILLINOIS



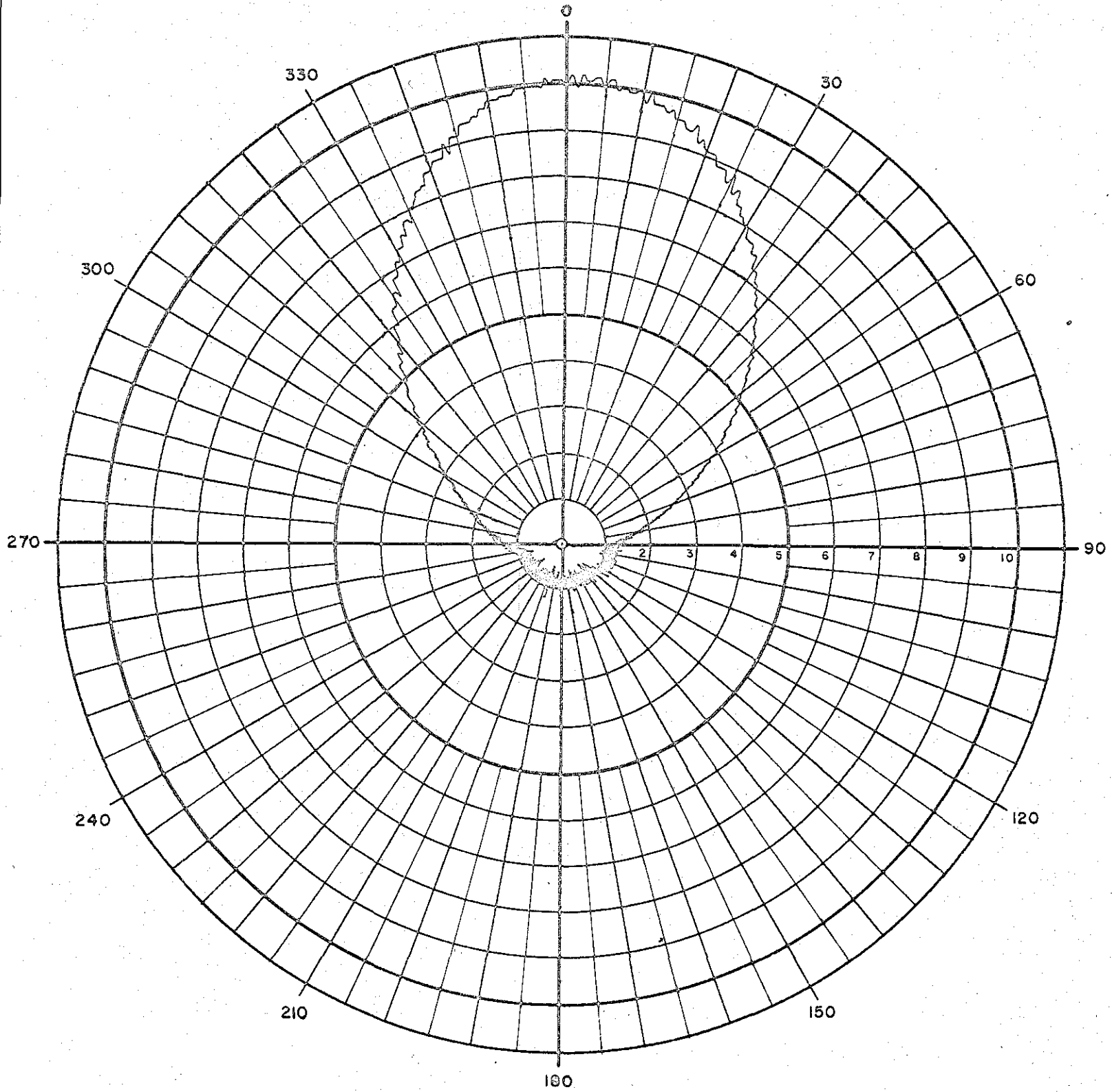
680

ANTENNA: <u>VULPV-18-Z</u>	PATTERN NO.:
POLARIZATION: <u>E-PLANE CUT: $\phi=$ $\theta=$</u>	DATE: <u>12-3-63</u>
REMARKS:	FREQUENCY: <u>82</u>
	<i>Ray & Son</i>

JFD RESEARCH & DEVELOPMENT LABS, INC.

714 1/2 SO. RANDOLPH

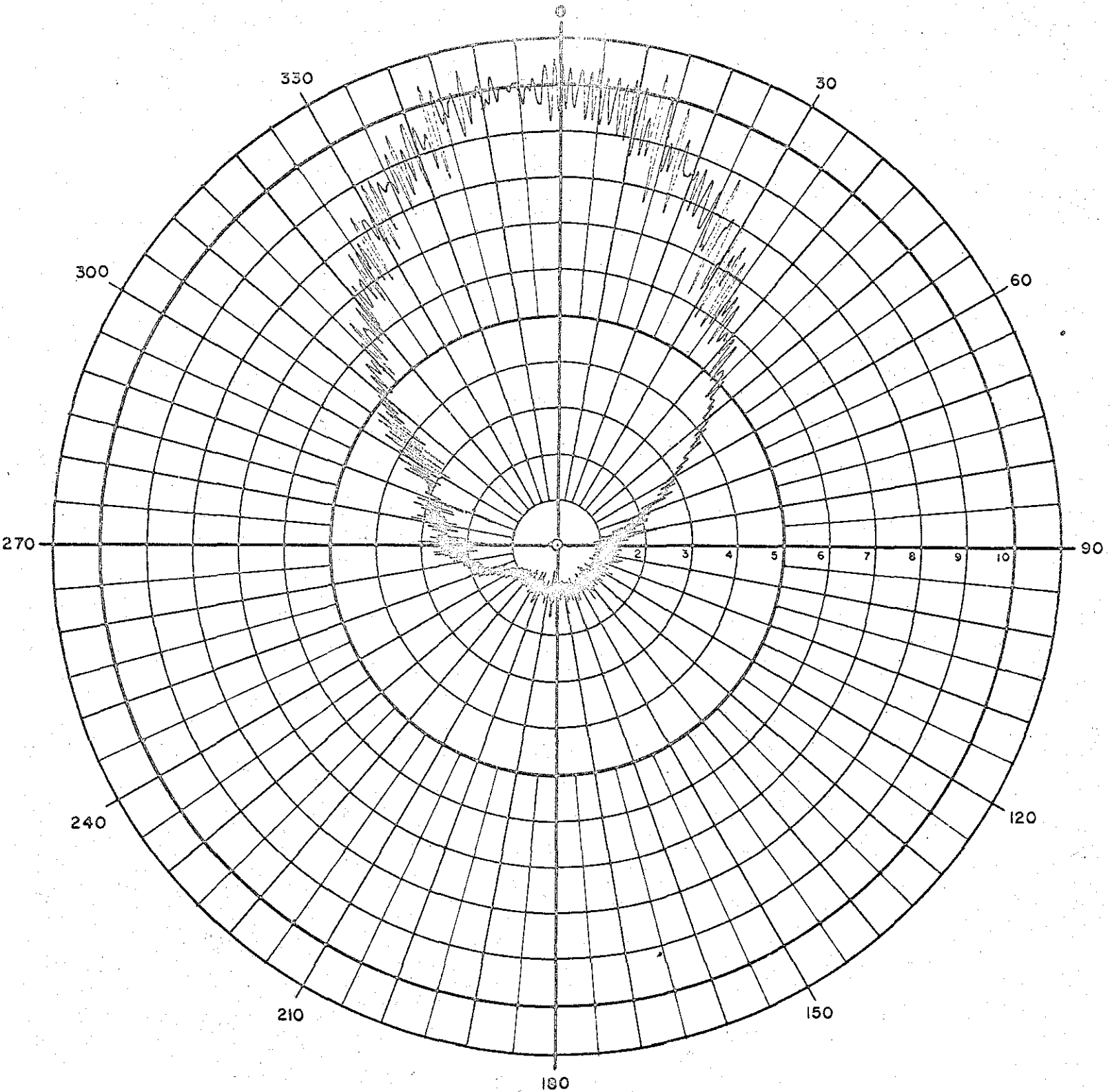
CHAMPAIGN, ILLINOIS



ANTENNA: <u>VULPV-18-I</u>	PATTERN NO.:
POLARIZATION: <u>F</u> CUT: $\phi =$ _____ $\theta =$ _____	DATE: <u>12-3-63</u>
REMARKS: _____	FREQUENCY: <u>84</u>
_____	_____

714 1/2 SO. RANDOLPH

CHAMPAIGN, ILLINOIS

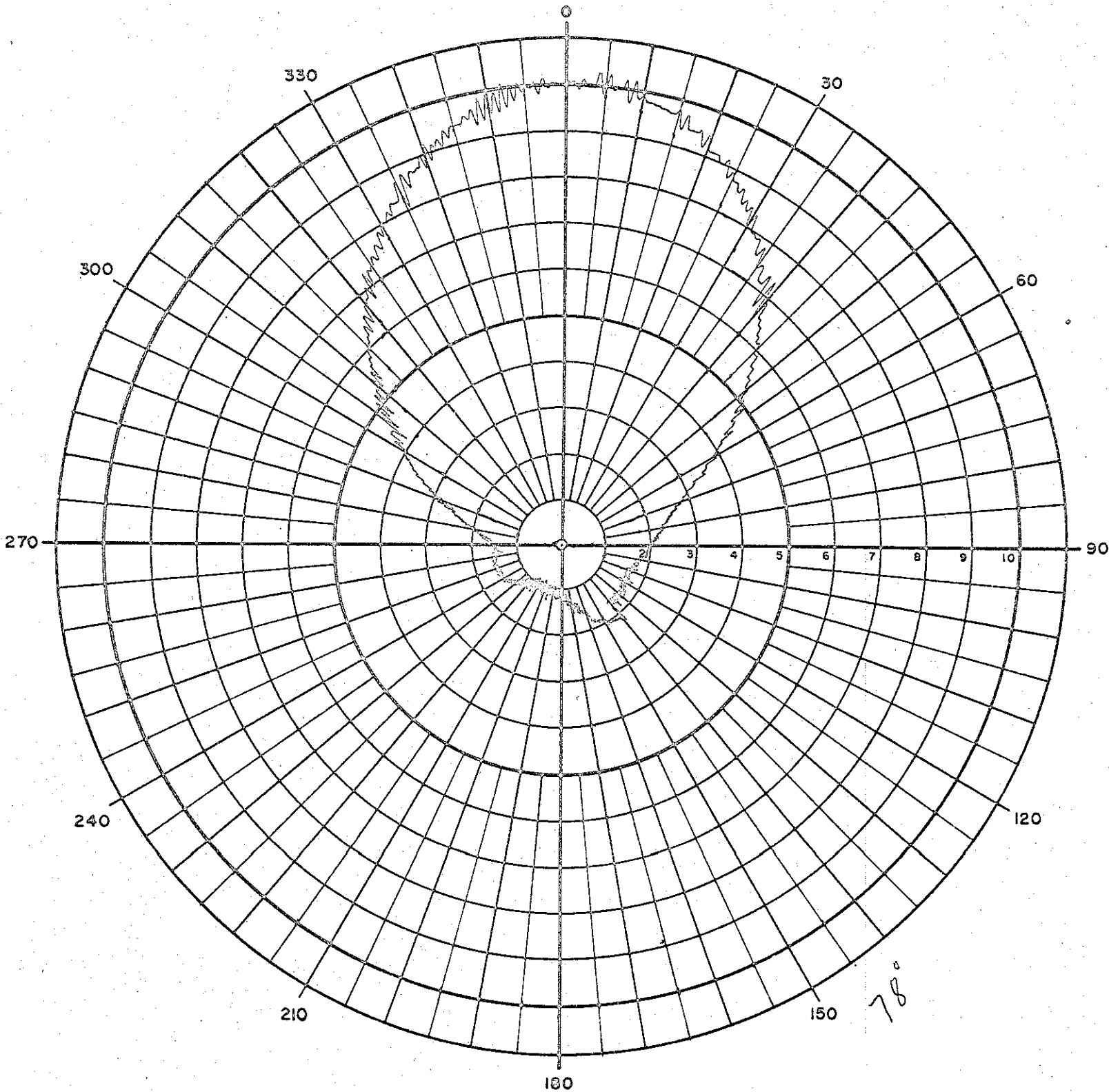


ANTENNA: <u>VULPV-18-T</u>	PATTERN NO.:
POLARIZATION: <u>E</u> CUT: $\phi =$ <u> </u> $\theta =$ <u> </u>	DATE: <u>12-3-63</u>
REMARKS: <u> </u>	FREQUENCY: <u>86</u>
<u> </u>	
<u> </u>	

JFD RESEARCH & DEVELOPMENT LABS, INC.

714 1/2 SO. RANDOLPH

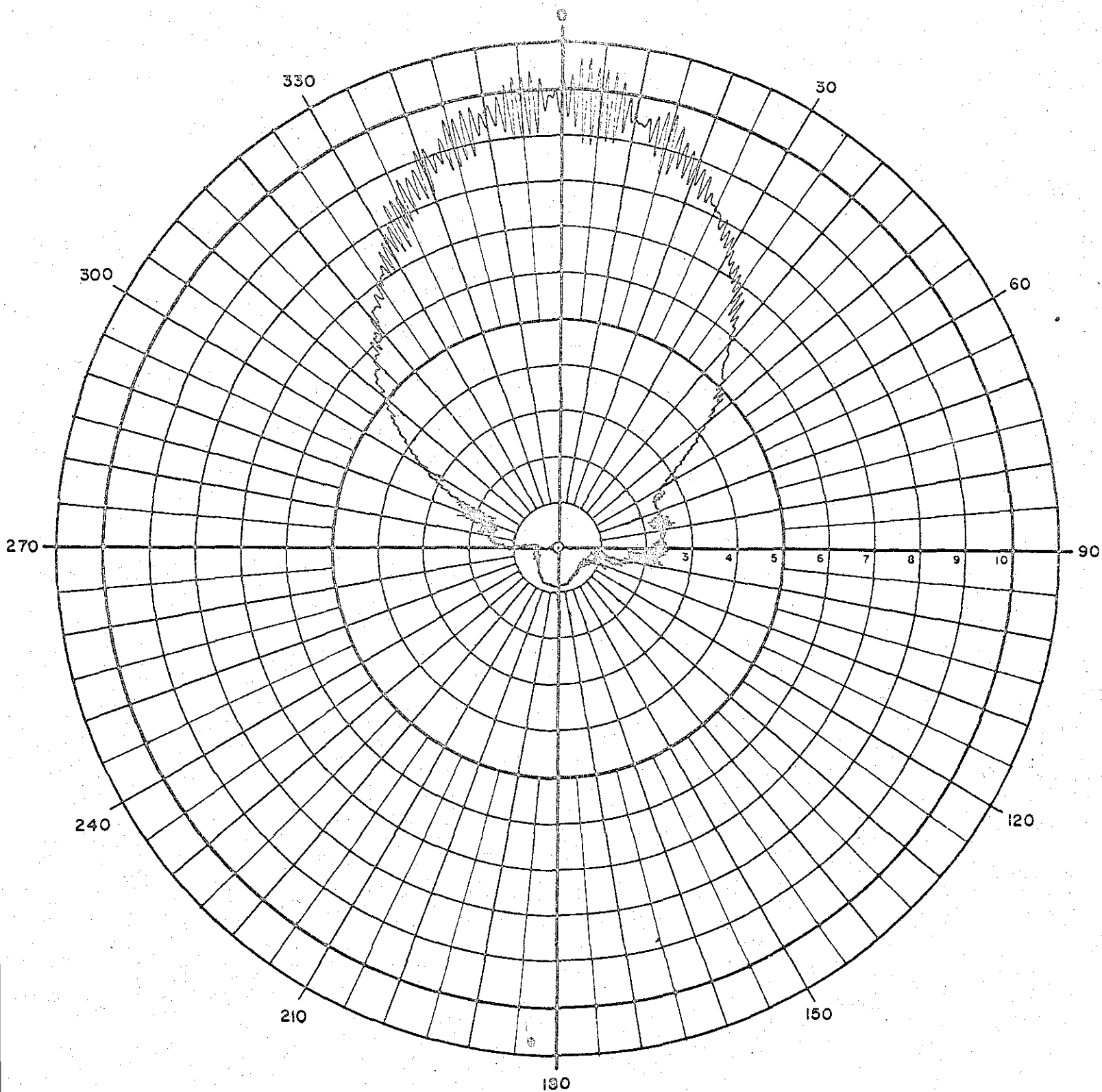
CHAMPAIGN, ILLINOIS



ANTENNA: <u>VULPV-18 I</u>	PATTERN NO.: _____
POLARIZATION: <u>E-PLANE</u> CUT: $\phi =$ _____ $\theta =$ _____	DATE: <u>12-3-63</u>
REMARKS: _____	FREQUENCY: <u>58</u>
_____	<i>Terry R. G.</i>

714 1/2 SO. RANDOLPH

CHAMPAIGN, ILLINOIS

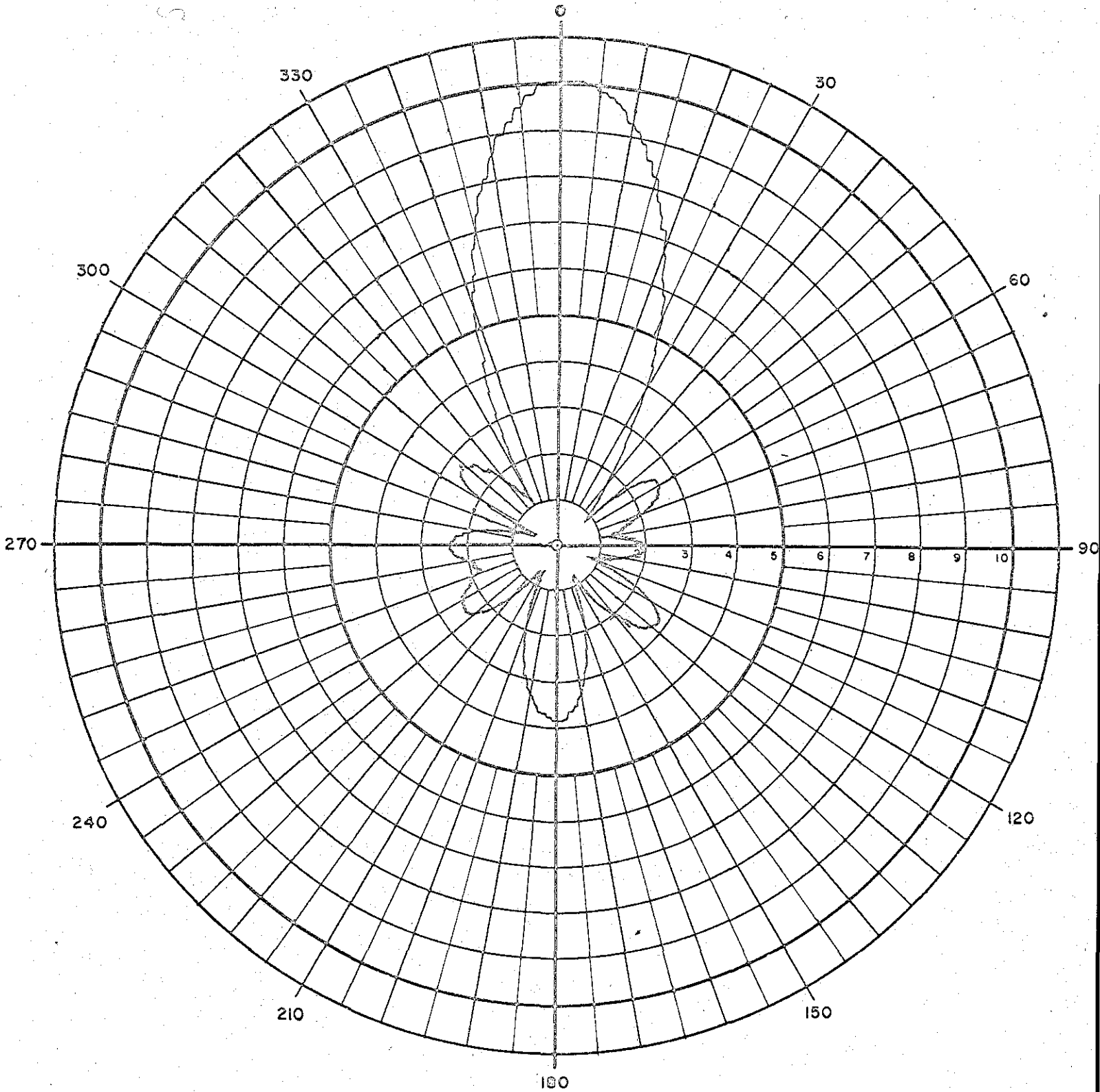


ANTENNA: <u>VULPV-18-E</u>	PATTERN NO.:
POLARIZATION: <u>E</u> CUT: ϕ = _____ θ = _____	DATE: <u>12-3-63</u>
REMARKS: _____	FREQUENCY: <u>90</u>
_____	_____

JFD RESEARCH & DEVELOPMENT LABS, INC.

714 1/2 SO. RANDOLPH

CHAMPAIGN, ILLINOIS

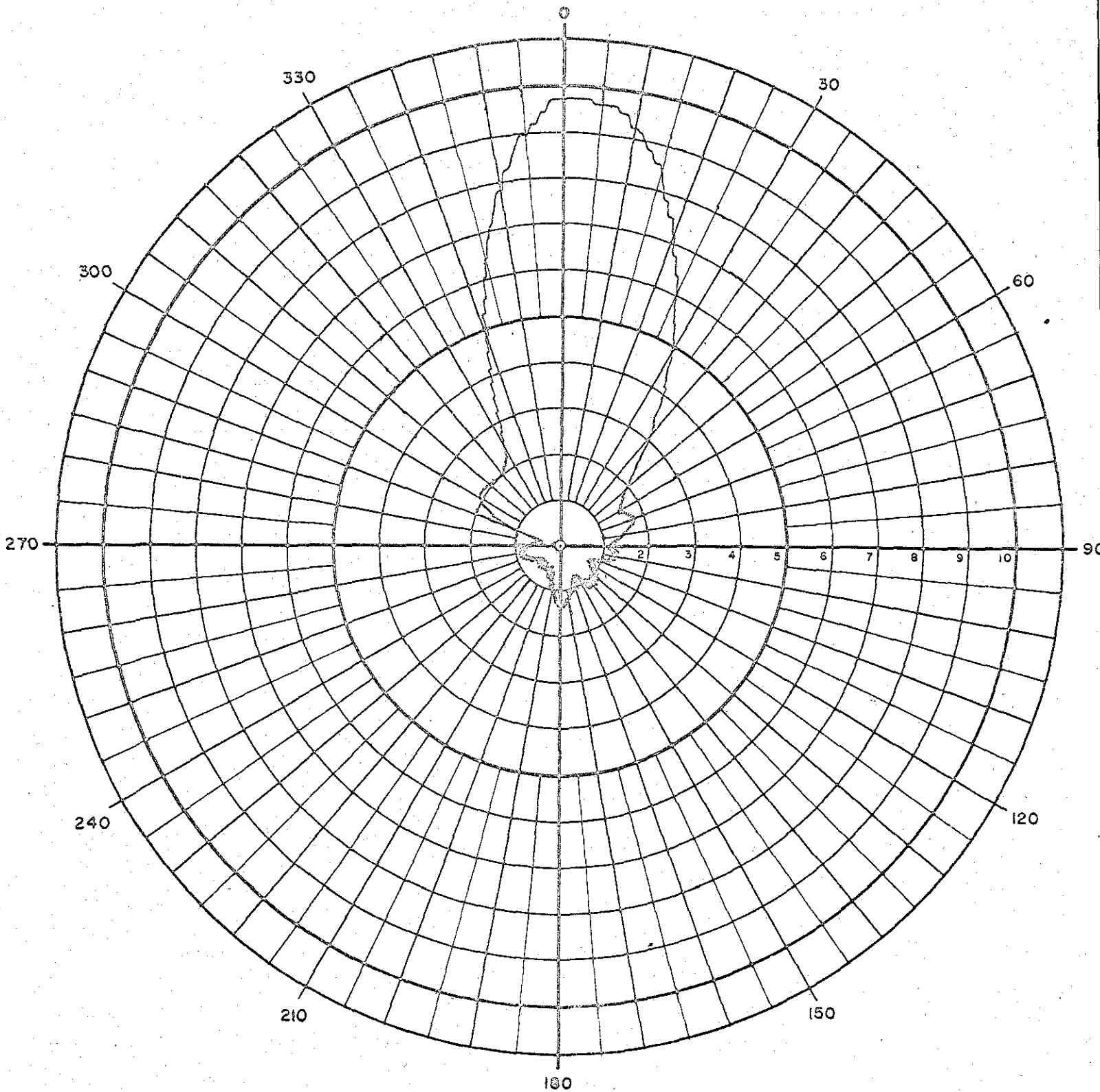


ANTENNA: <u>VULPV-18-I</u>	PATTERN NO.: _____
POLARIZATION: <u>E</u> CUT: $\phi =$ _____ $\theta =$ _____	DATE: <u>12-3-63</u>
REMARKS: _____	FREQUENCY: <u>166</u>
_____	_____
_____	_____

JFD RESEARCH & DEVELOPMENT LABS, INC.

714 1/2 SO. RANDOLPH

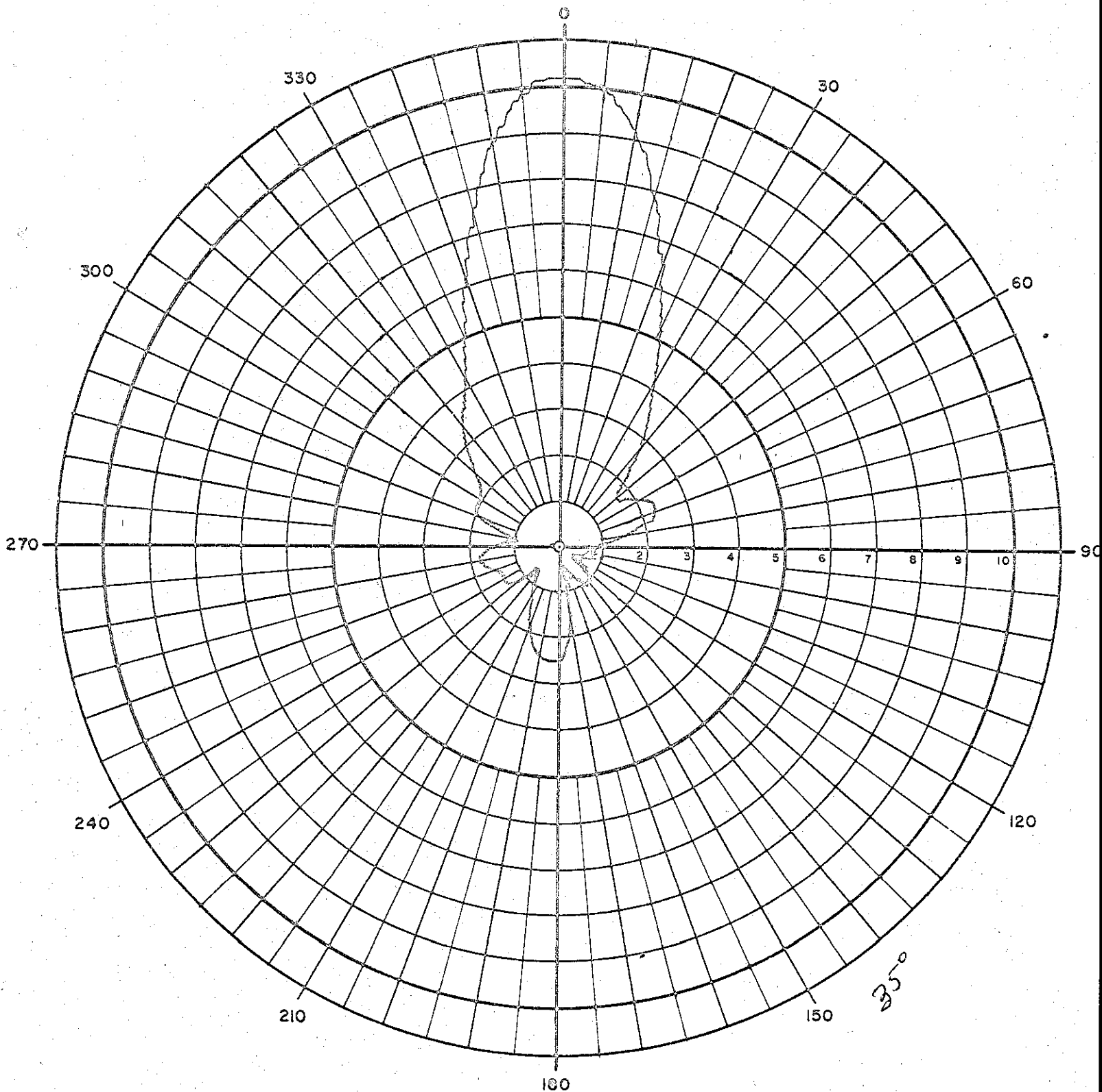
CHAMPAIGN, ILLINOIS



ANTENNA: <u>VULPV-18-L</u>	PATTERN NO.: _____
POLARIZATION: <u>E</u> CUT: $\phi=$ _____ $\theta=$ _____	DATE: <u>12-3-63</u>
REMARKS: _____	FREQUENCY: <u>170</u>
_____	_____

714 1/2 SO. RANDOLPH

CHAMPAIGN, ILLINOIS



ANTENNA: VVLPV-18-I

POLARIZATION: E CUT: $\phi =$ _____ $\theta =$ _____

REMARKS: _____

PATTERN NO.: _____

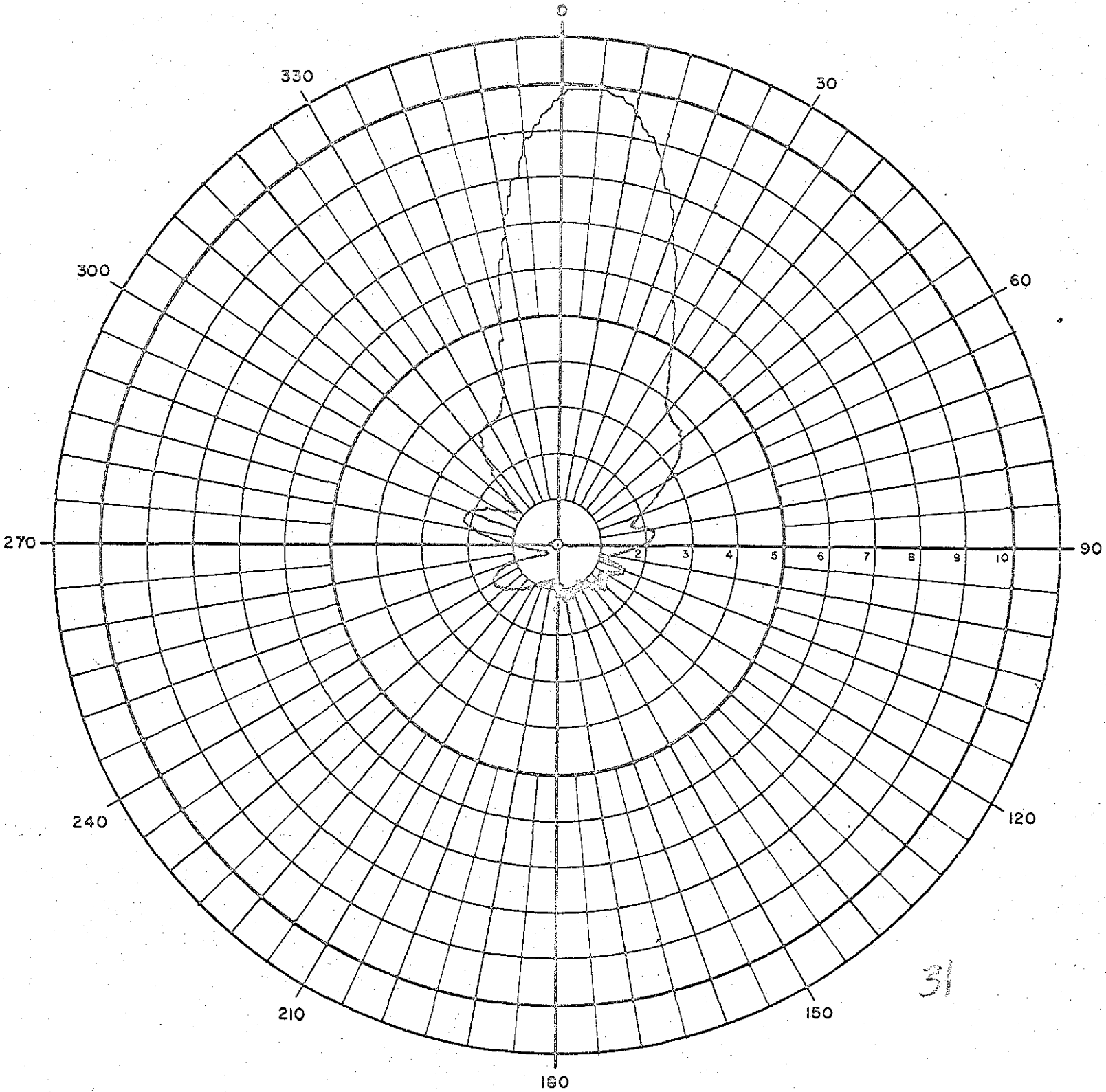
DATE: 12-3-63

FREQUENCY: 174

JFD RESEARCH & DEVELOPMENT LABS, INC.

714 1/2 SO. RANDOLPH

CHAMPAIGN, ILLINOIS

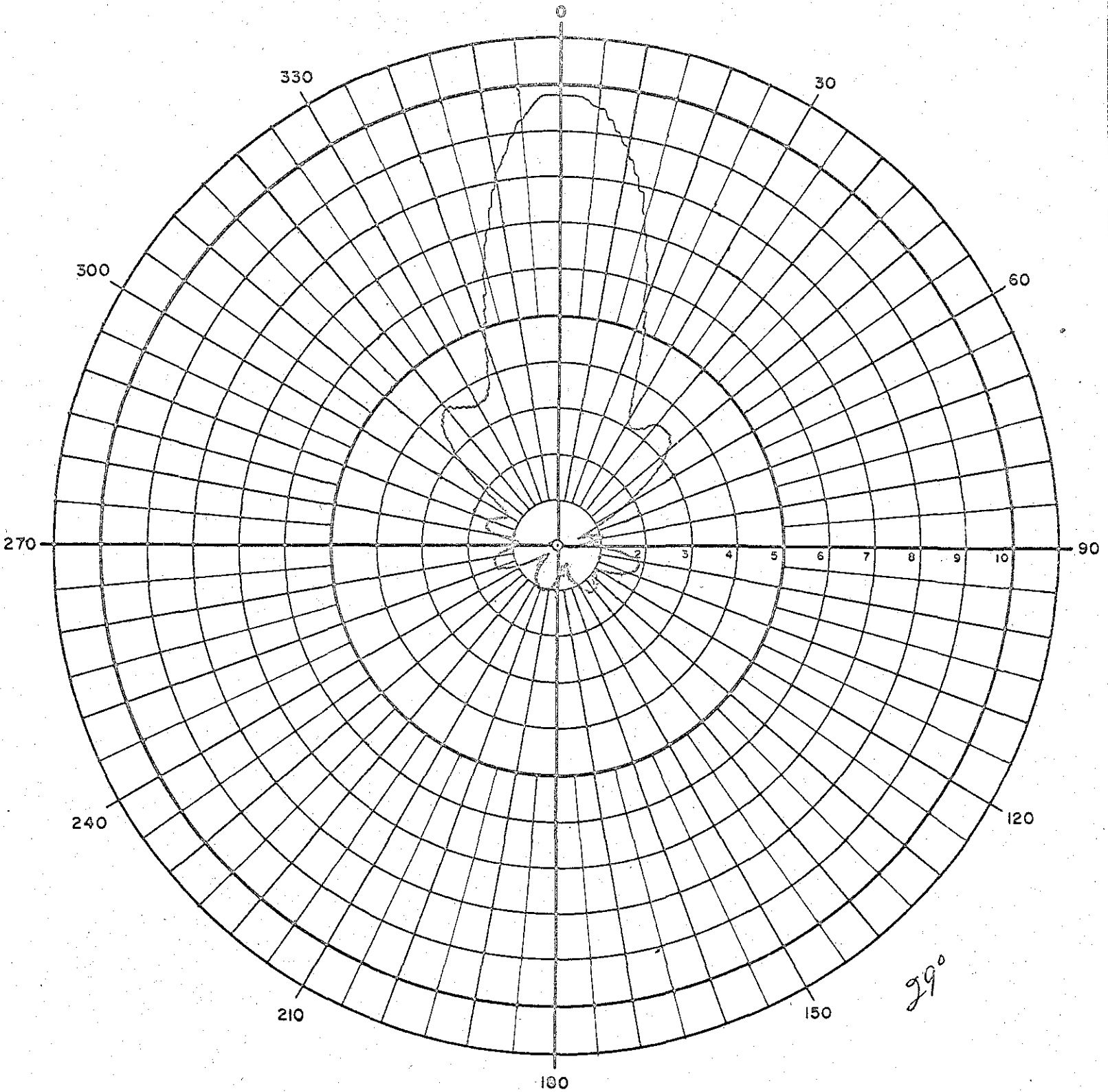


31

ANTENNA: <u>VULPV-18-Z</u>	PATTERN NO. : _____
POLARIZATION: <u>E</u> CUT: $\phi =$ _____ $\theta =$ _____	DATE: <u>12-3-63</u>
REMARKS: _____	FREQUENCY: <u>176</u>
_____	_____
_____	_____

714 1/2 SO. RANDOLPH

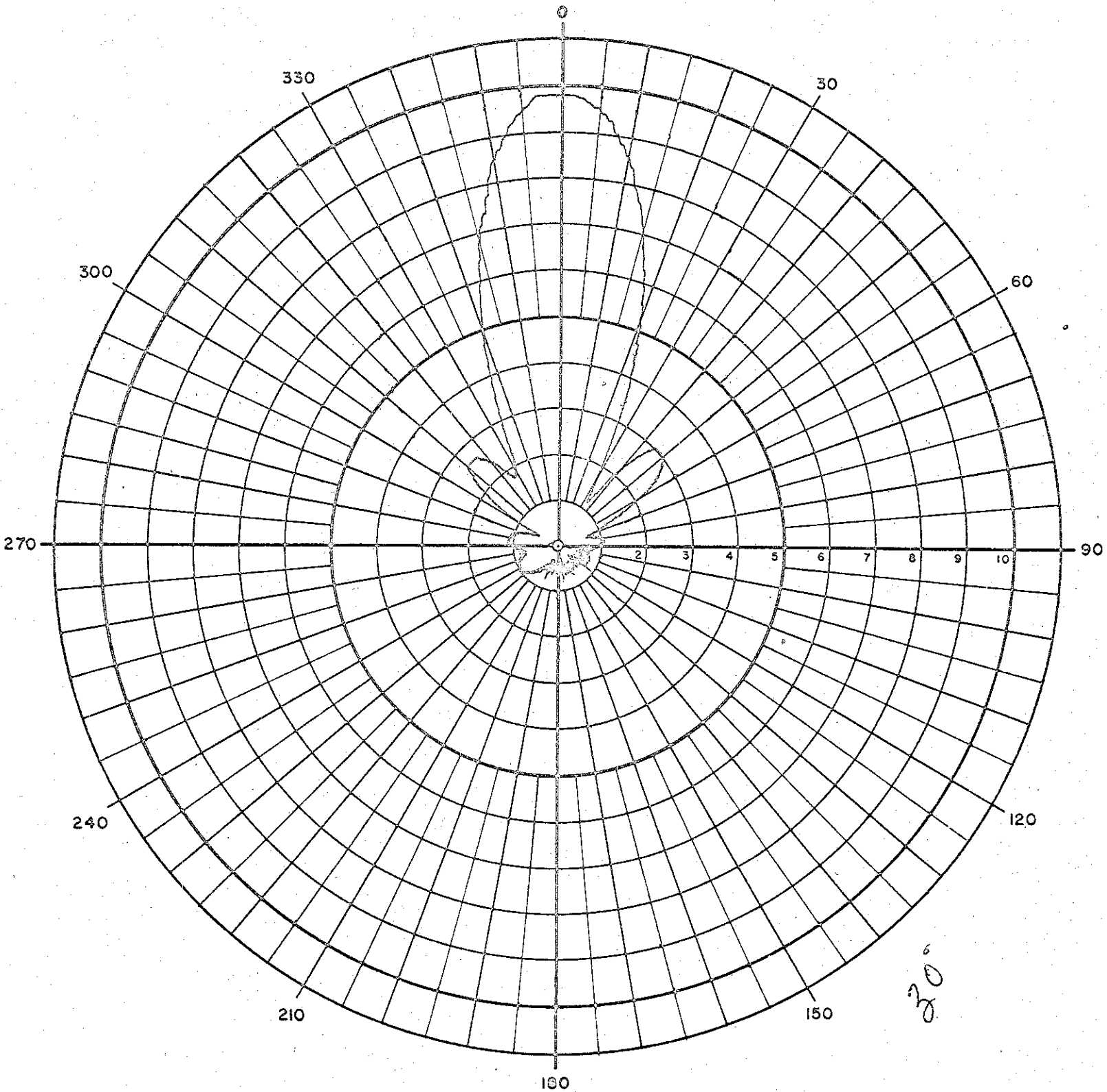
CHAMPAIGN, ILLINOIS



ANTENNA: <u>VULPV-18-L</u>	PATTERN NO.: _____
POLARIZATION: <u>F</u> CUT: $\phi =$ _____ $\theta =$ _____	DATE: <u>12-3-63</u>
REMARKS: _____	FREQUENCY: <u>180</u>
_____	_____

714 1/2 SO. RANDOLPH

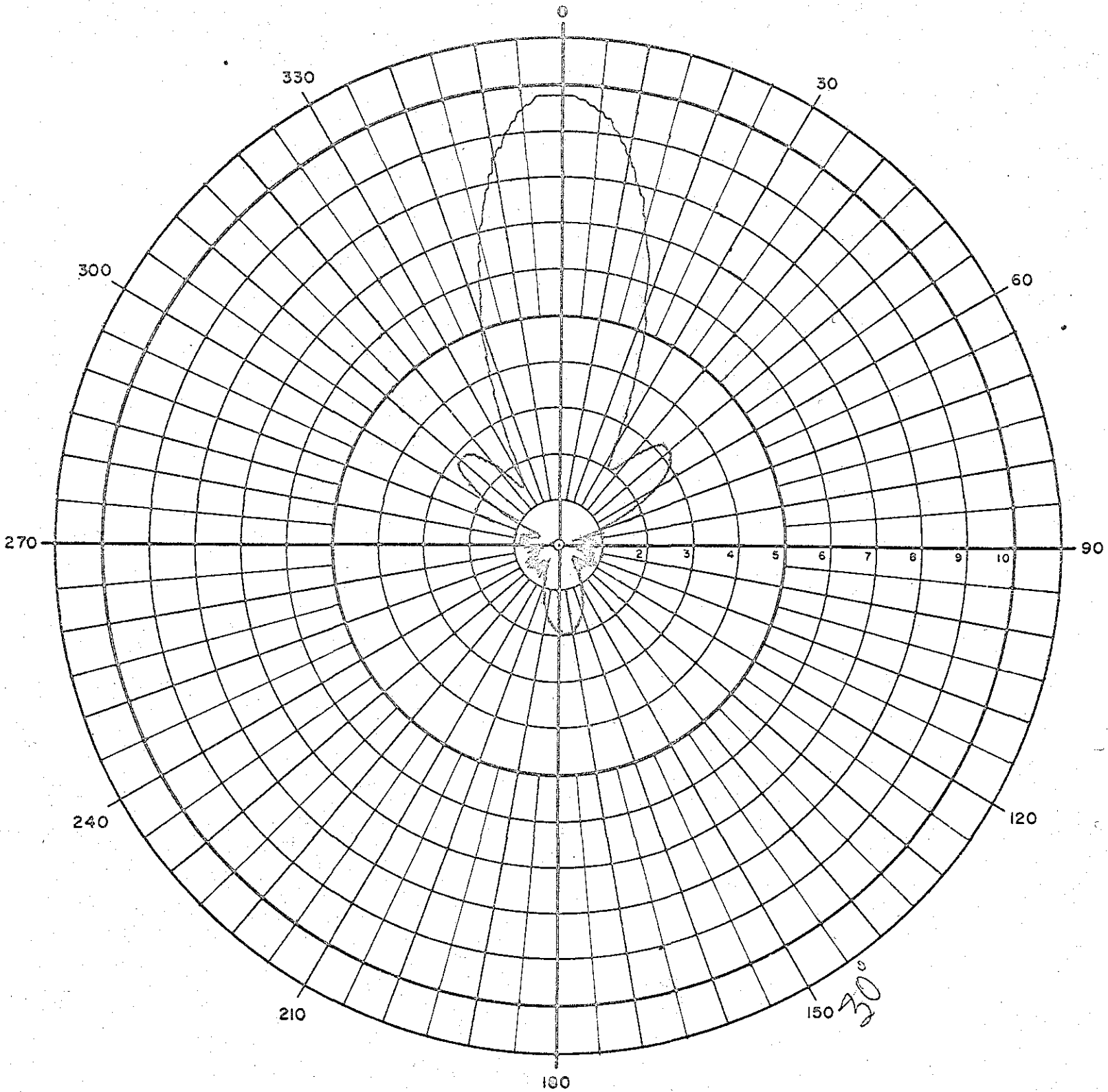
CHAMPAIGN, ILLINOIS



ANTENNA: <u>VULPV-18-I</u>	PATTERN NO.:
POLARIZATION: <u>E</u> CUT: $\phi =$ _____ $\theta =$ _____	DATE: <u>12-3-63</u>
REMARKS: _____	FREQUENCY: <u>186</u>
_____	_____
_____	_____

714 1/2 SO. RANDOLPH

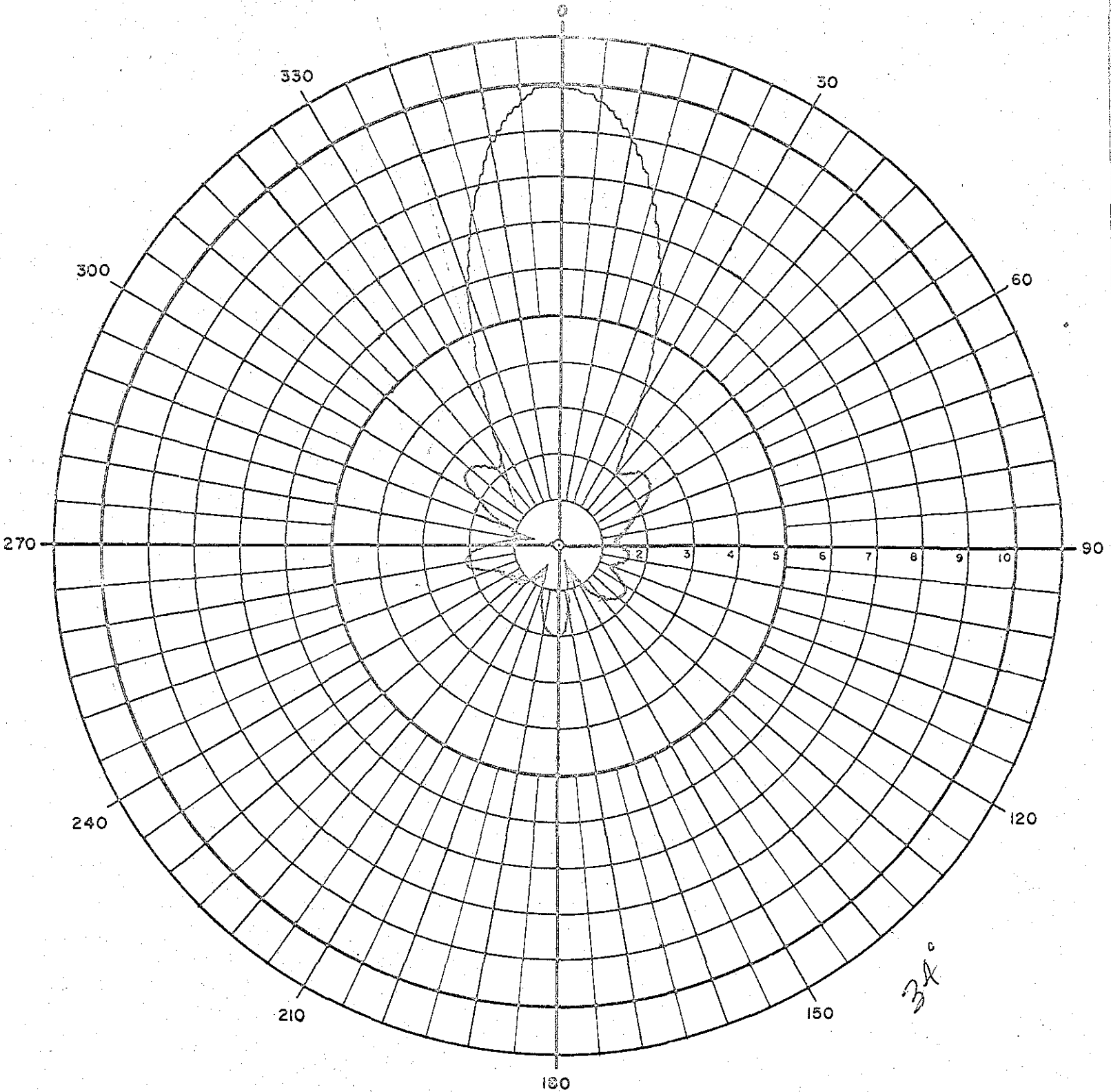
CHAMPAIGN, ILLINOIS



ANTENNA: <u>VULPV-18-I</u>	PATTERN NO.:
POLARIZATION: <u>E</u> CUT: $\phi =$ <u> </u> $\theta =$ <u> </u>	DATE: <u>12-3-63</u>
REMARKS: <u> </u>	FREQUENCY: <u>190</u>
<u> </u>	
<u> </u>	

714 1/2 SO. RANDOLPH

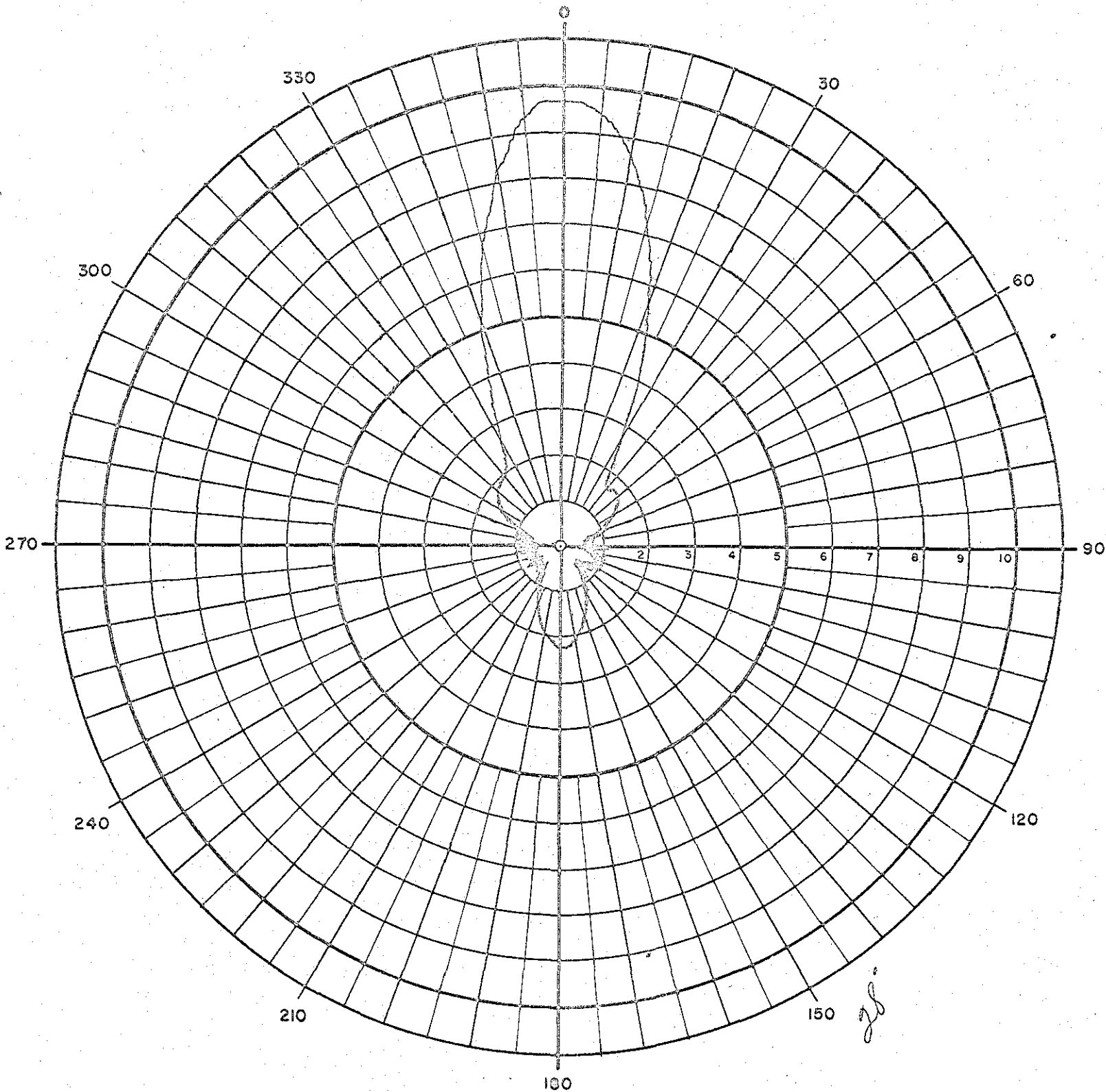
CHAMPAIGN, ILLINOIS



ANTENNA: <u>VULPV-18-Z</u>	PATTERN NO.:
POLARIZATION: <u>E</u> CUT: $\phi =$ <u> </u> $\theta =$ <u> </u>	DATE: <u>12-3-63</u>
REMARKS: <u> </u>	FREQUENCY: <u>198</u>
<u> </u>	
<u> </u>	

714 1/2 SO. RANDOLPH

CHAMPAIGN, ILLINOIS



ANTENNA: VVLPV-18-I

POLARIZATION: E CUT: $\phi =$ _____ $\theta =$ _____

REMARKS: _____

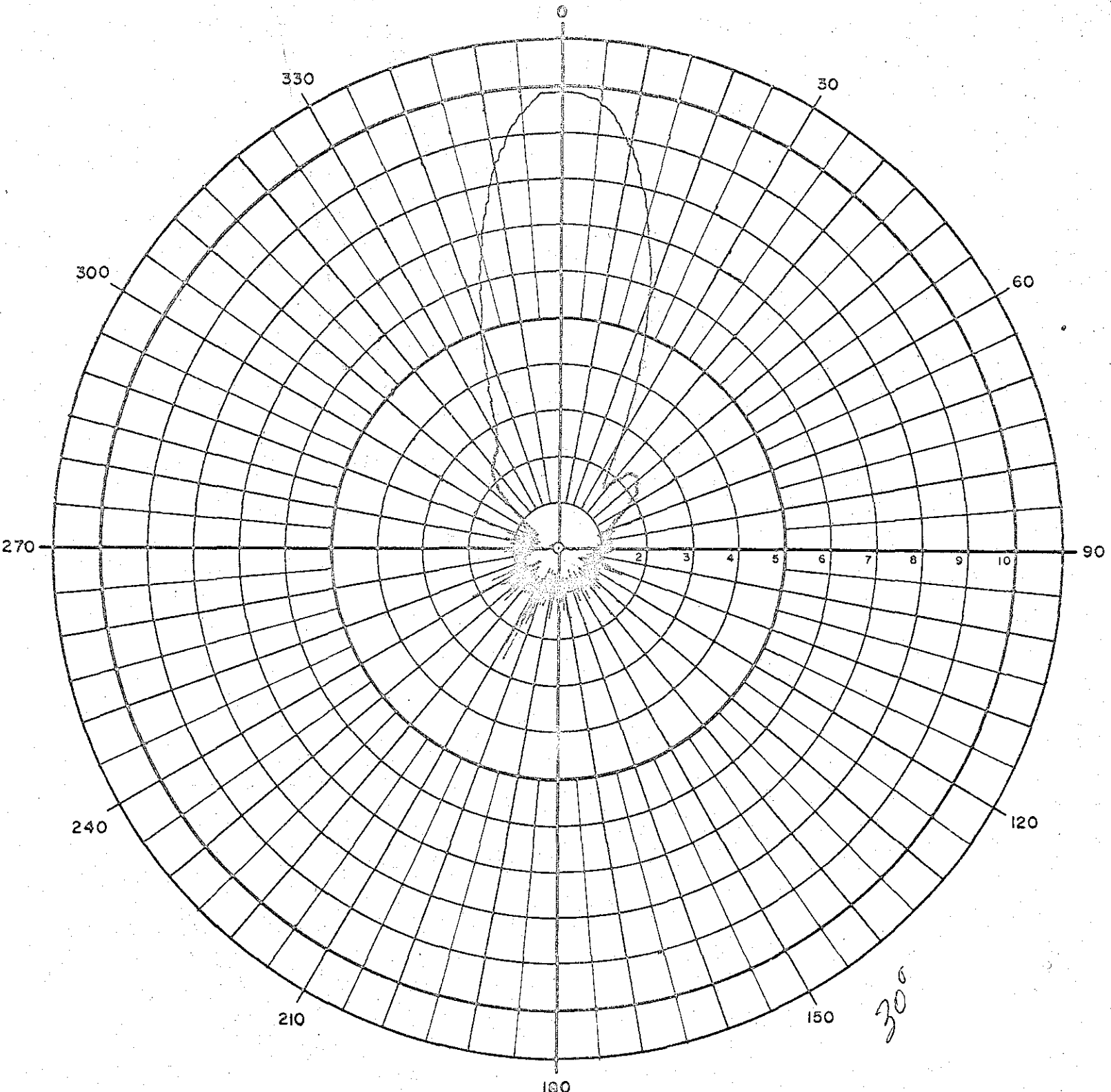
PATTERN NO.: _____

DATE: 12-3-63

FREQUENCY: 20.4

714 1/2 SO. RANDOLPH

CHAMPAIGN, ILLINOIS

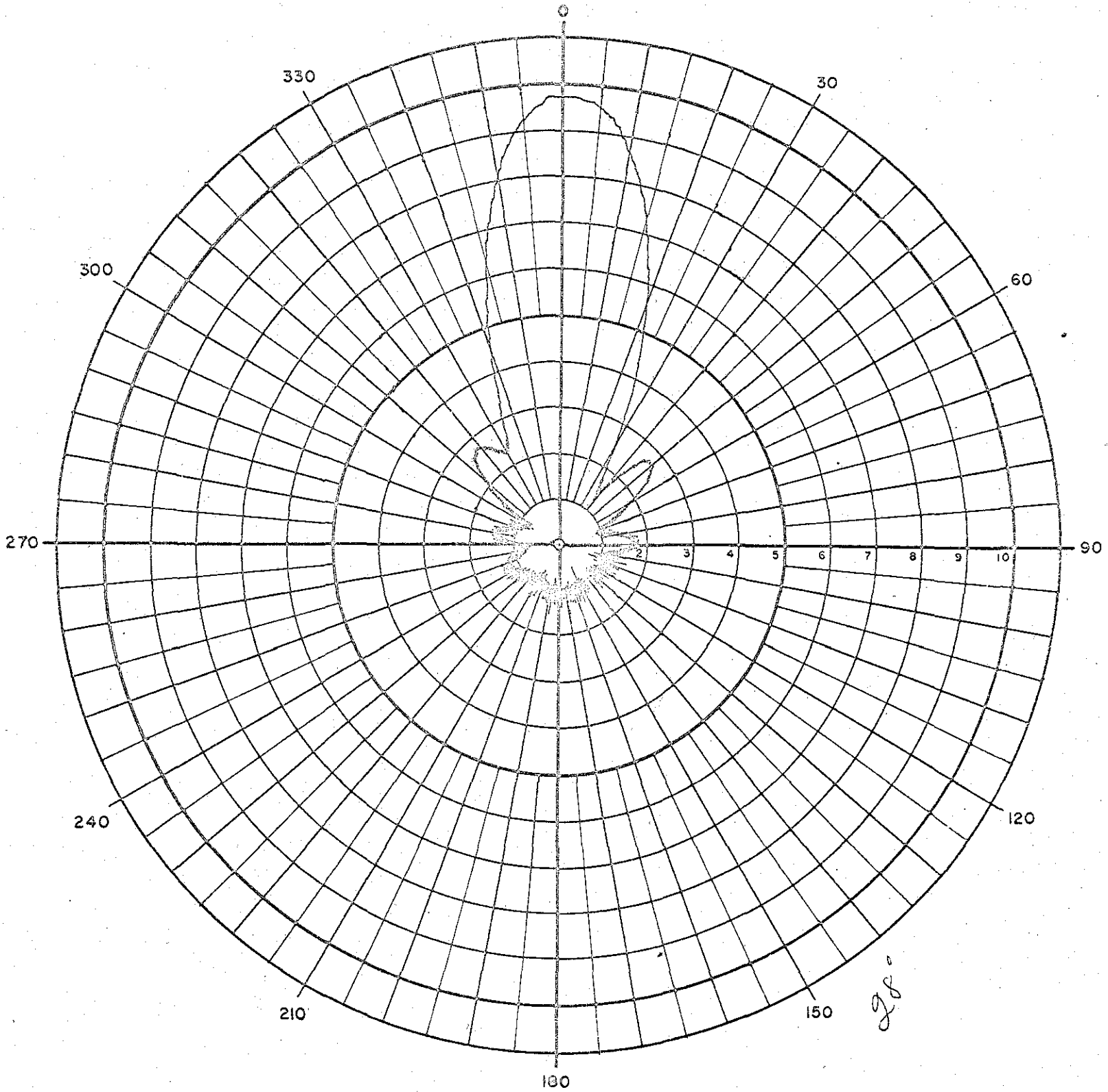


ANTENNA: <u>VULPV-18-2</u>	PATTERN NO.: _____
POLARIZATION: <u>E</u> CUT: ϕ = _____ θ = _____	DATE: <u>12-3-63</u>
REMARKS: _____	FREQUENCY: <u>210</u>
_____	_____

JFD RESEARCH & DEVELOPMENT LABS, INC.

714 1/2 SO. RANDOLPH

CHAMPAIGN, ILLINOIS

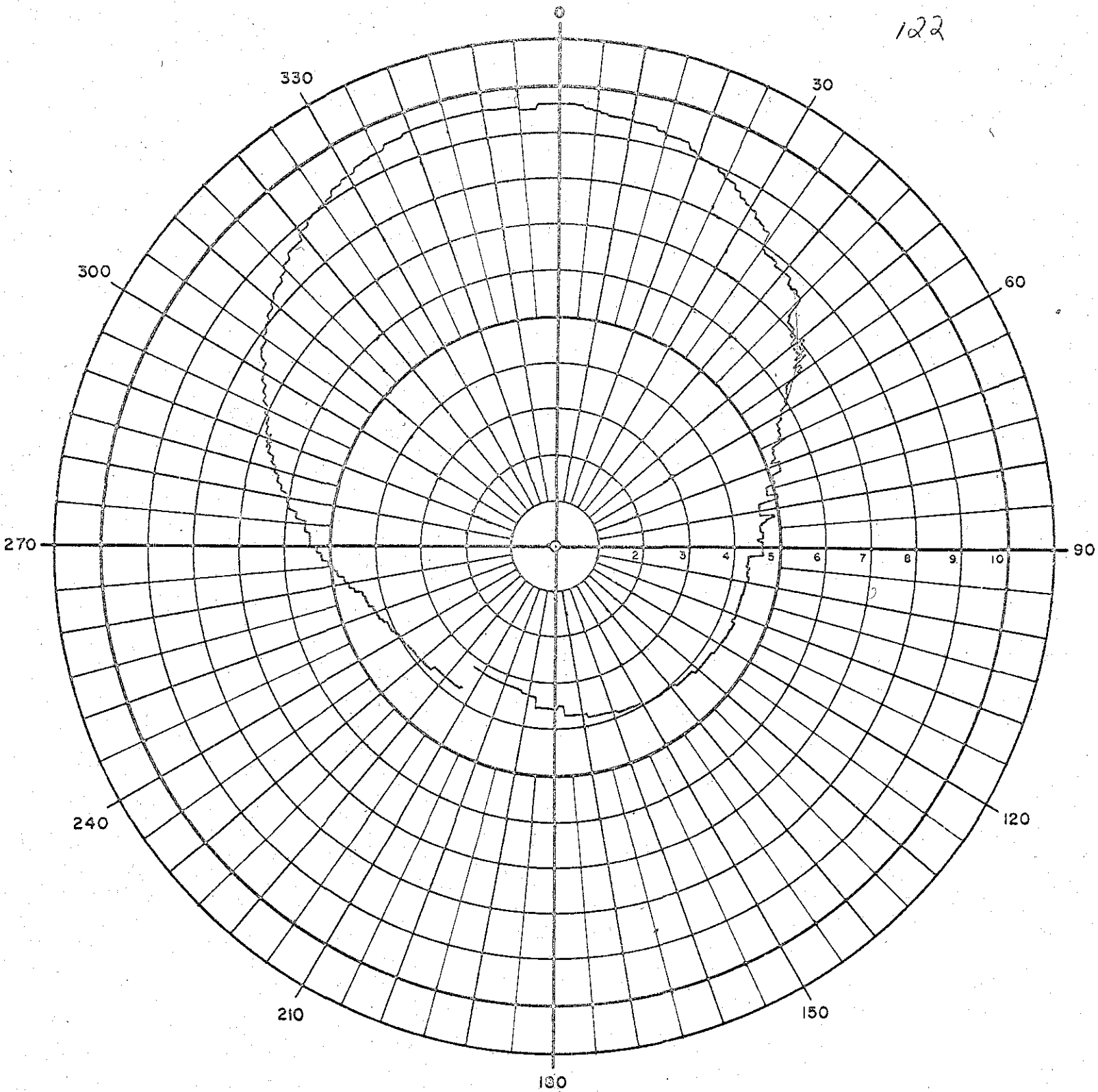


ANTENNA: <u>VULPV-18-L</u>	PATTERN NO.:
POLARIZATION: <u>E</u> CUT: ϕ = _____ θ = _____	DATE: <u>12-3-63</u>
REMARKS: _____	FREQUENCY: <u>216</u>

714 1/2 SO. RANDOLPH

CHAMPAIGN, ILLINOIS

122

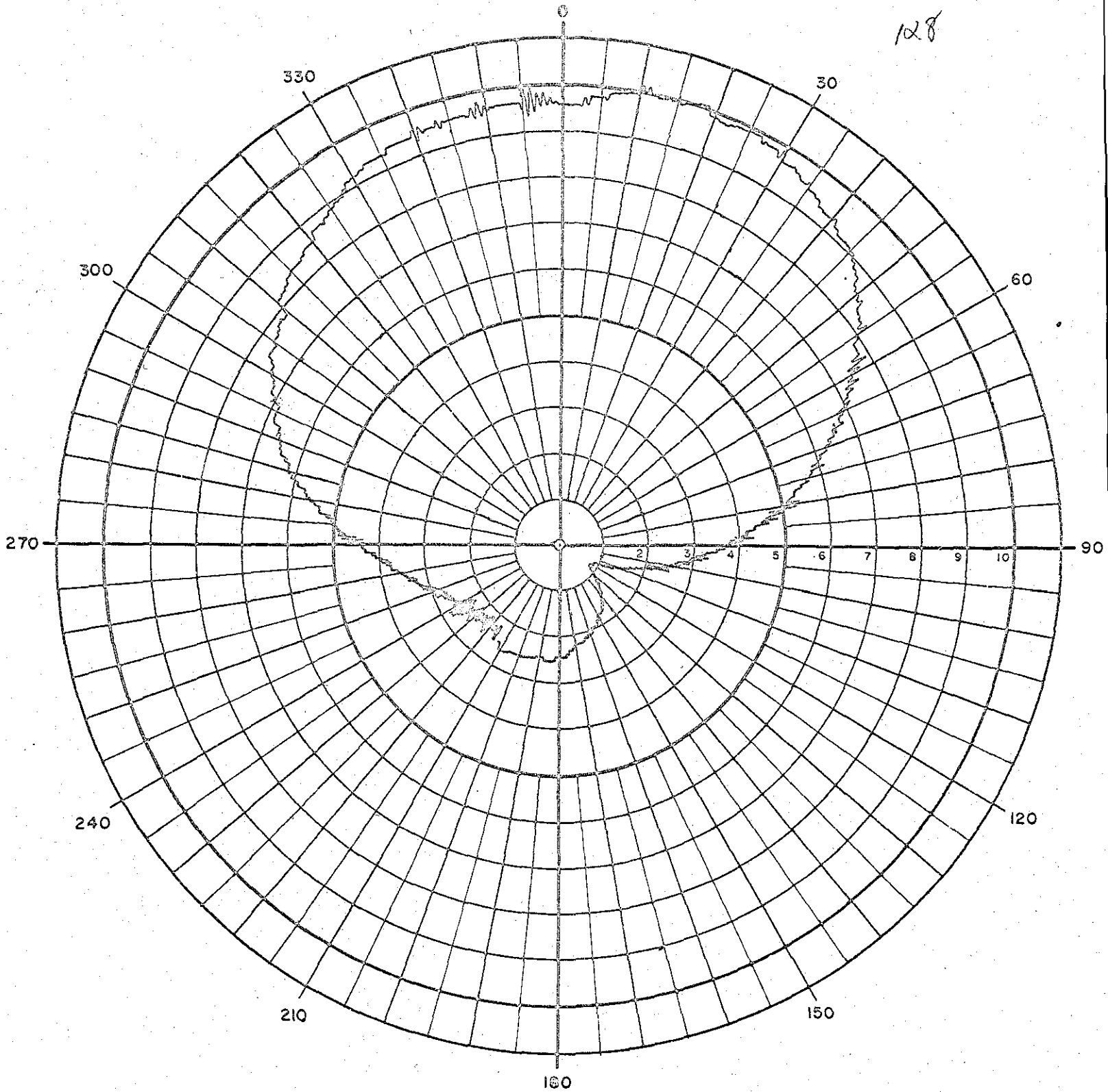


ANTENNA: _____	PATTERN NO.: _____
POLARIZATION: <u>H</u> CUT: ϕ = _____ θ = _____	DATE: _____
REMARKS: _____	FREQUENCY: <u>54</u>
_____	_____
_____	_____

714 1/2 SO. RANDOLPH

CHAMPAIGN, ILLINOIS

128

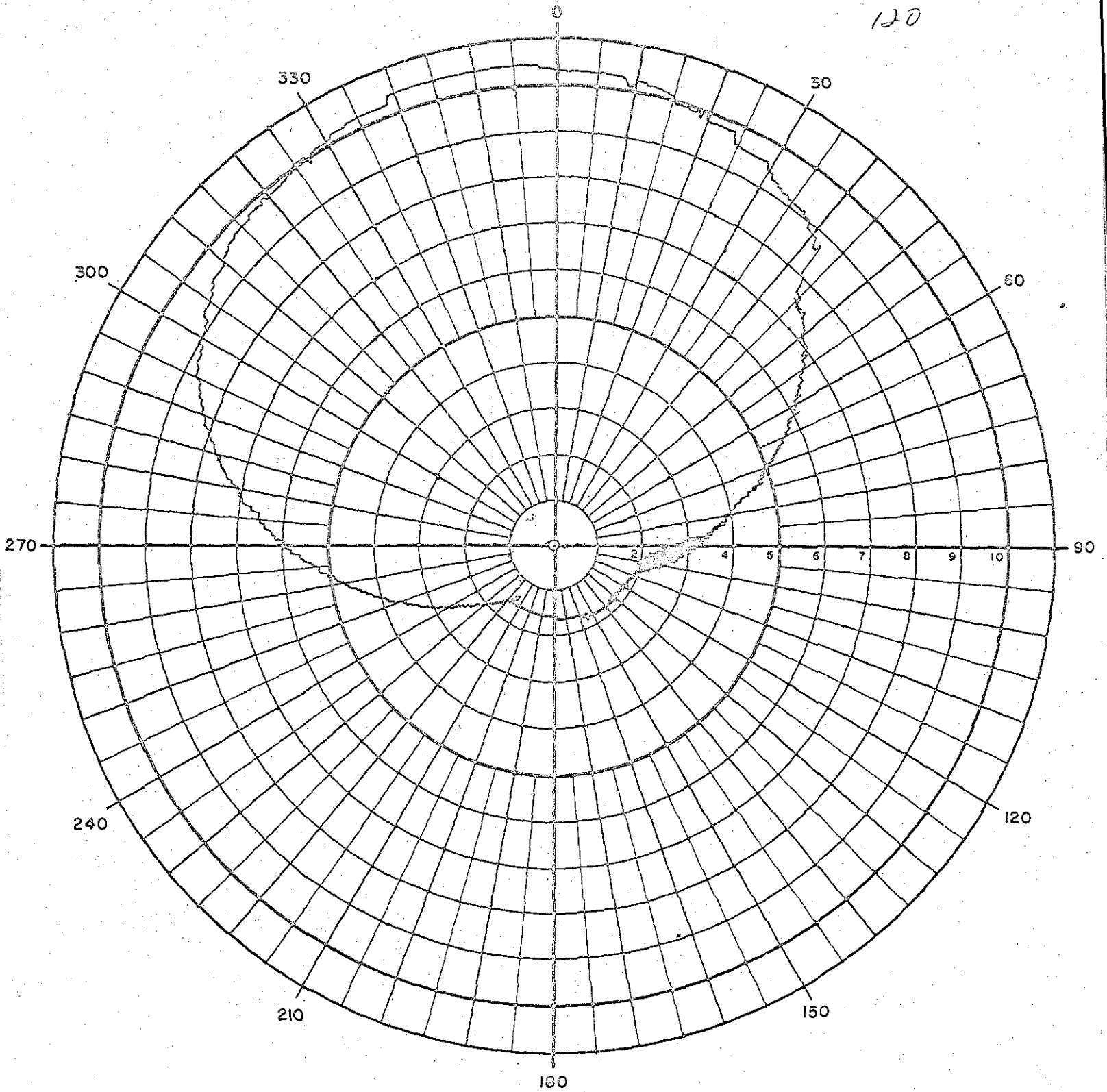


ANTENNA :	_____	PATTERN NO. :	_____
POLARIZATION :	_____	CUT: $\phi =$ _____ $\theta =$ _____	DATE : _____
REMARKS :	_____	FREQUENCY :	66 _____
	_____		_____
	_____		_____

714 1/2 SO. RANDOLPH

CHAMPAIGN, ILLINOIS

120

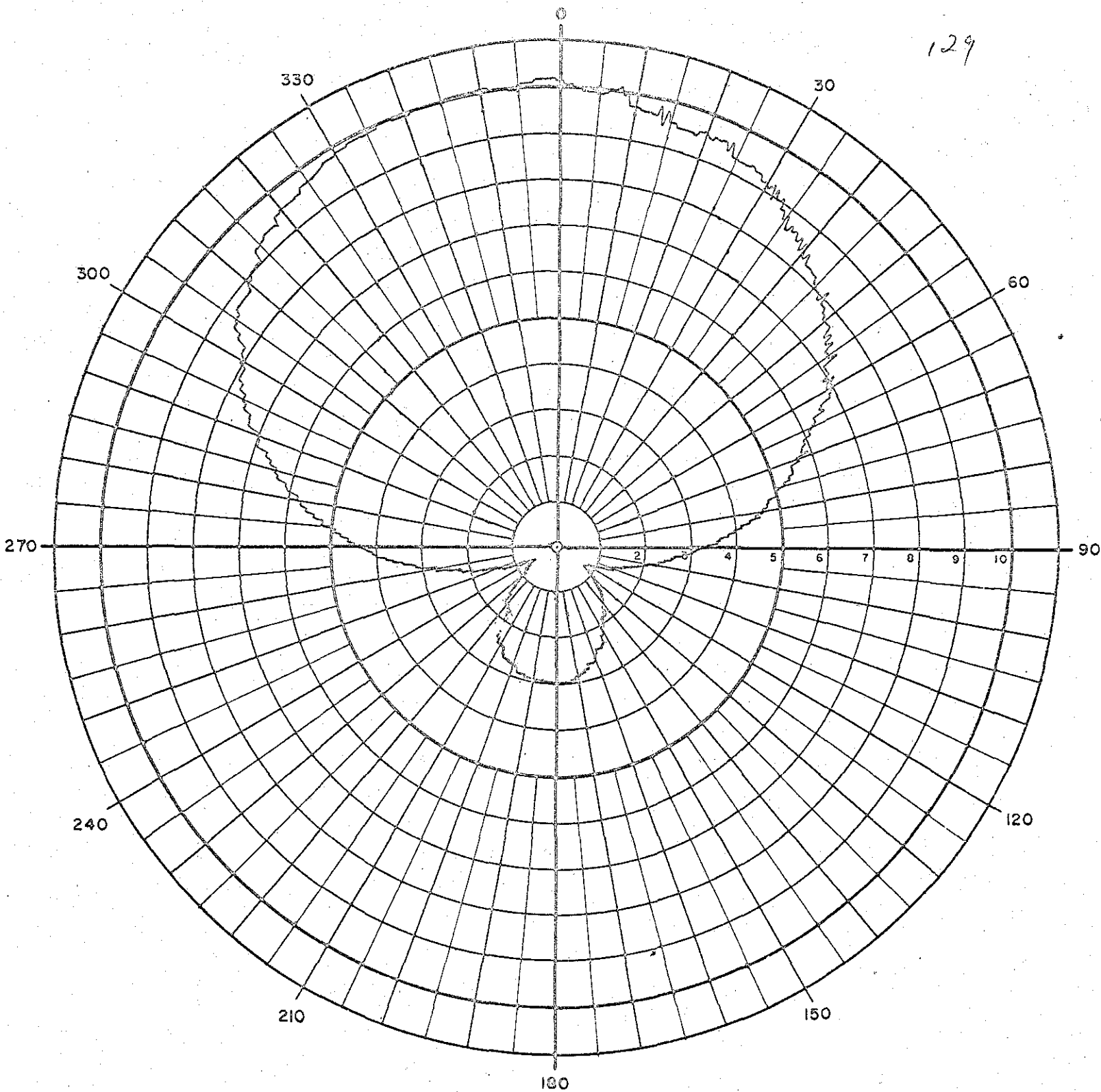


ANTENNA: _____	CUT: $\phi =$ _____ $\theta =$ _____	PATTERN NO.: _____
POLARIZATION: _____		DATE: _____
REMARKS: _____		FREQUENCY: <u>72</u>

714 1/2 SO. RANDOLPH

CHAMPAIGN, ILLINOIS

129

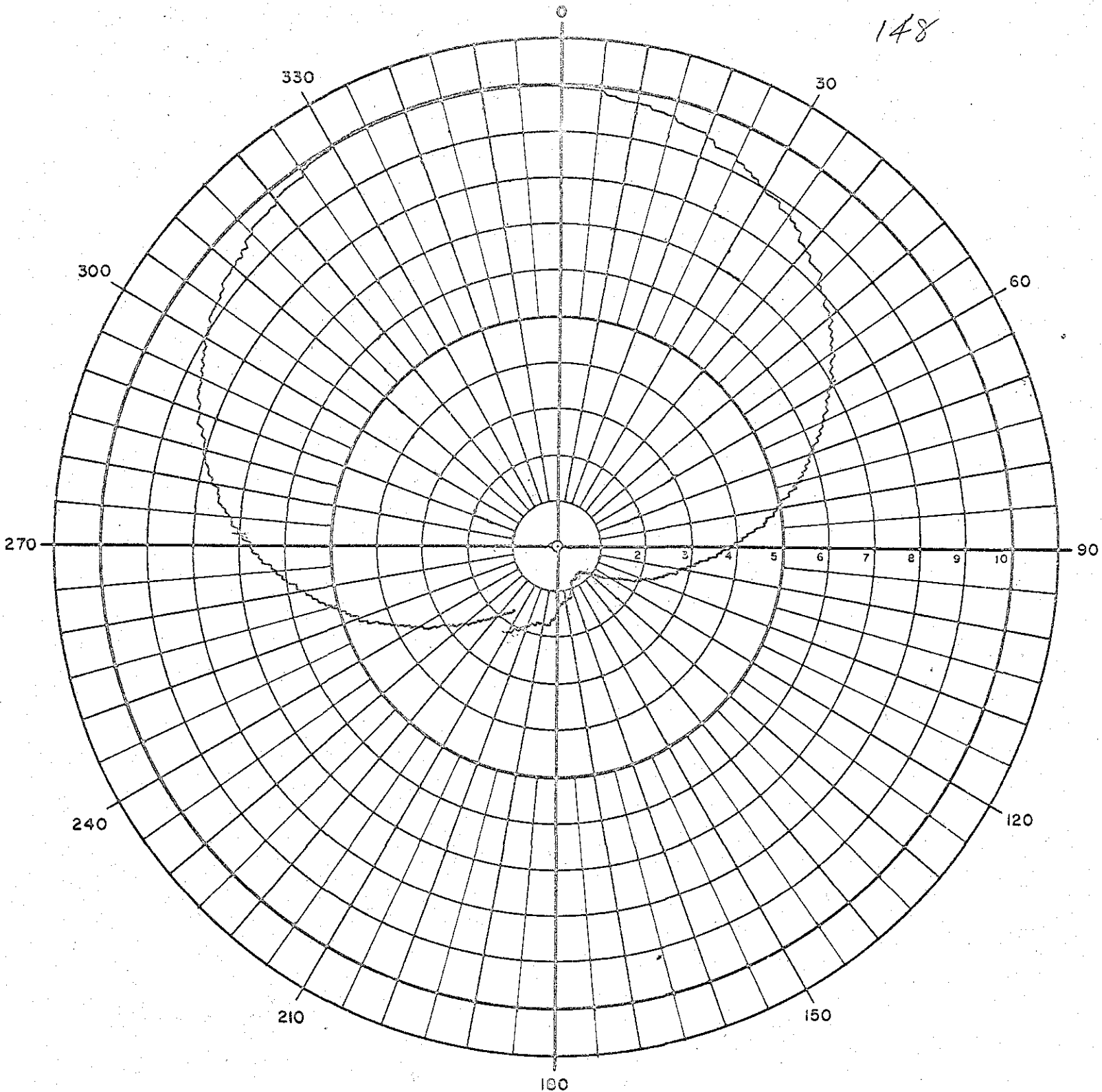


ANTENNA: _____	CUT: $\phi =$ _____ $\theta =$ _____	PATTERN NO.: _____
POLARIZATION: _____		DATE: _____
REMARKS: _____		FREQUENCY: <u>78</u>

714 1/2 SO. RANDOLPH

CHAMPAIGN, ILLINOIS

148

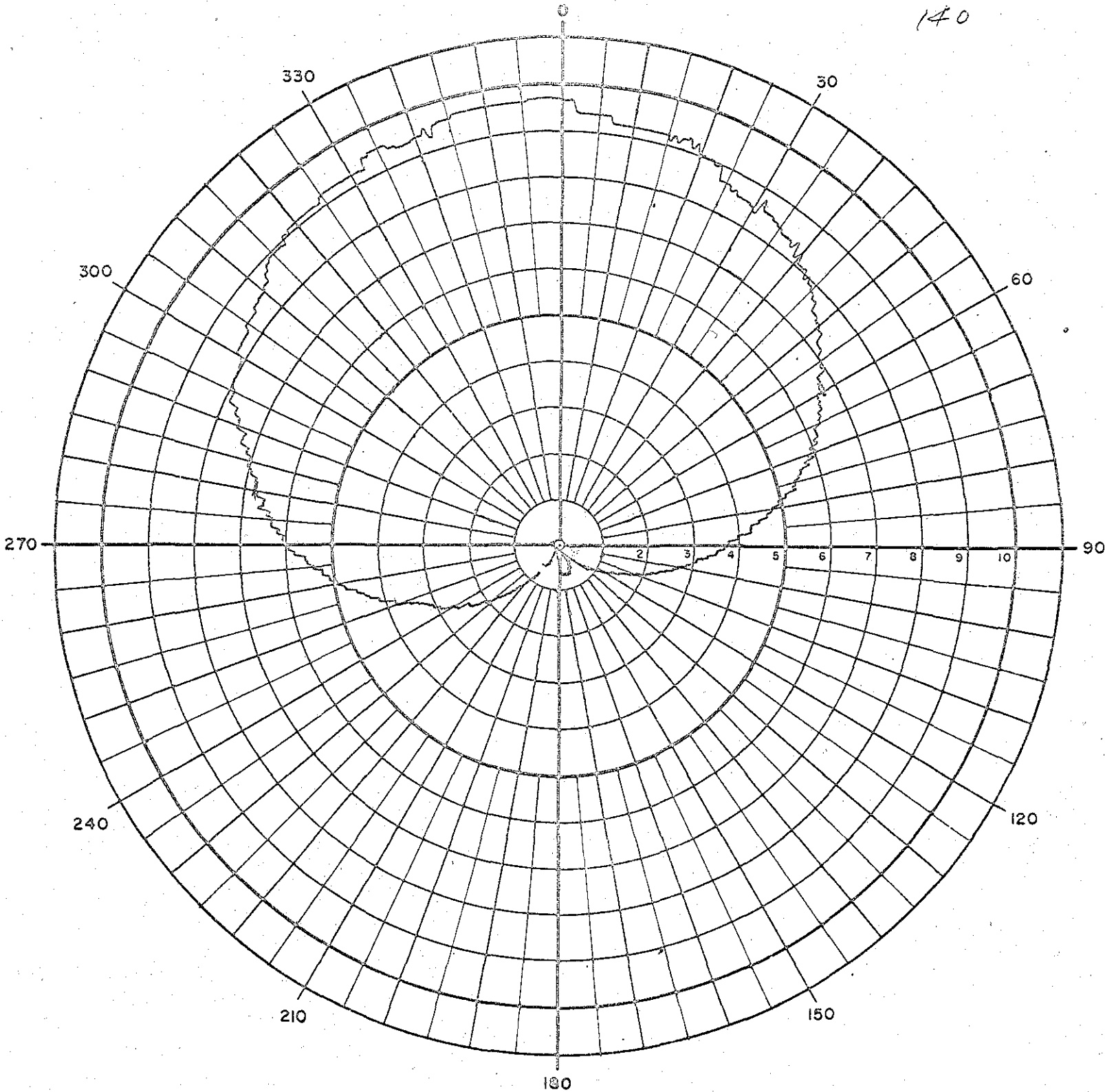


ANTENNA: _____	PATTERN NO.: _____
POLARIZATION: _____ CUT: $\phi =$ _____ $\theta =$ _____	DATE: _____
REMARKS: _____	FREQUENCY: <u>30</u>
_____	_____
_____	_____

714 1/2 SO. RANDOLPH

CHAMPAIGN, ILLINOIS

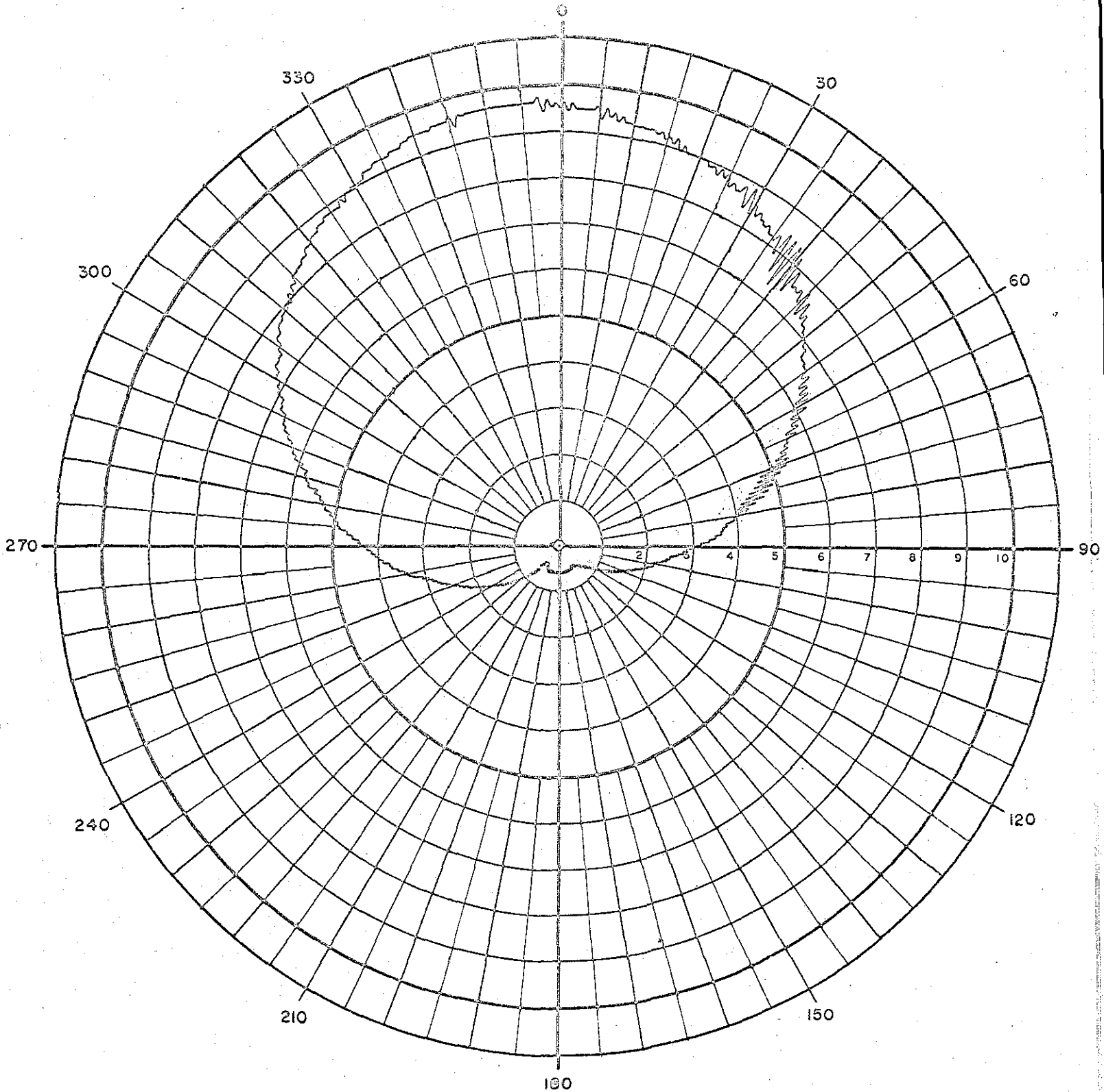
140



ANTENNA: _____	PATTERN NO.: _____
POLARIZATION: _____ CUT: ϕ = _____ θ = _____	DATE: _____
REMARKS: _____	FREQUENCY: <u>87</u>
_____	_____
_____	_____

714 1/2 SO. RANDOLPH

CHAMPAIGN, ILLINOIS

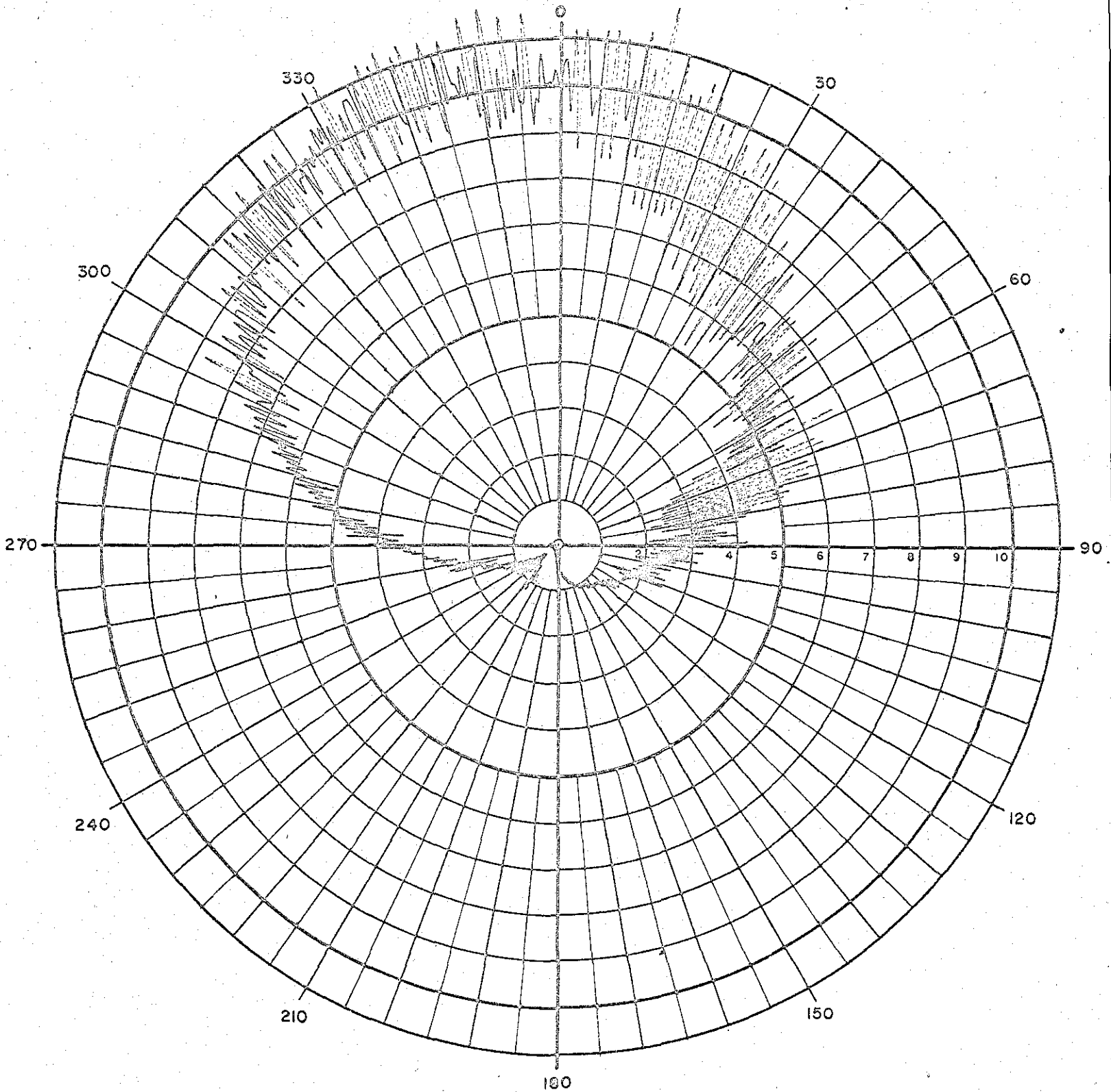


ANTENNA: _____	PATTERN NO.: _____
POLARIZATION: _____ CUT: ϕ = _____ θ = _____	DATE: _____
REMARKS: _____	FREQUENCY: <u>8.4</u>

JFD RESEARCH & DEVELOPMENT LABS, INC.

714 1/2 SO. RANDOLPH

CHAMPAIGN, ILLINOIS



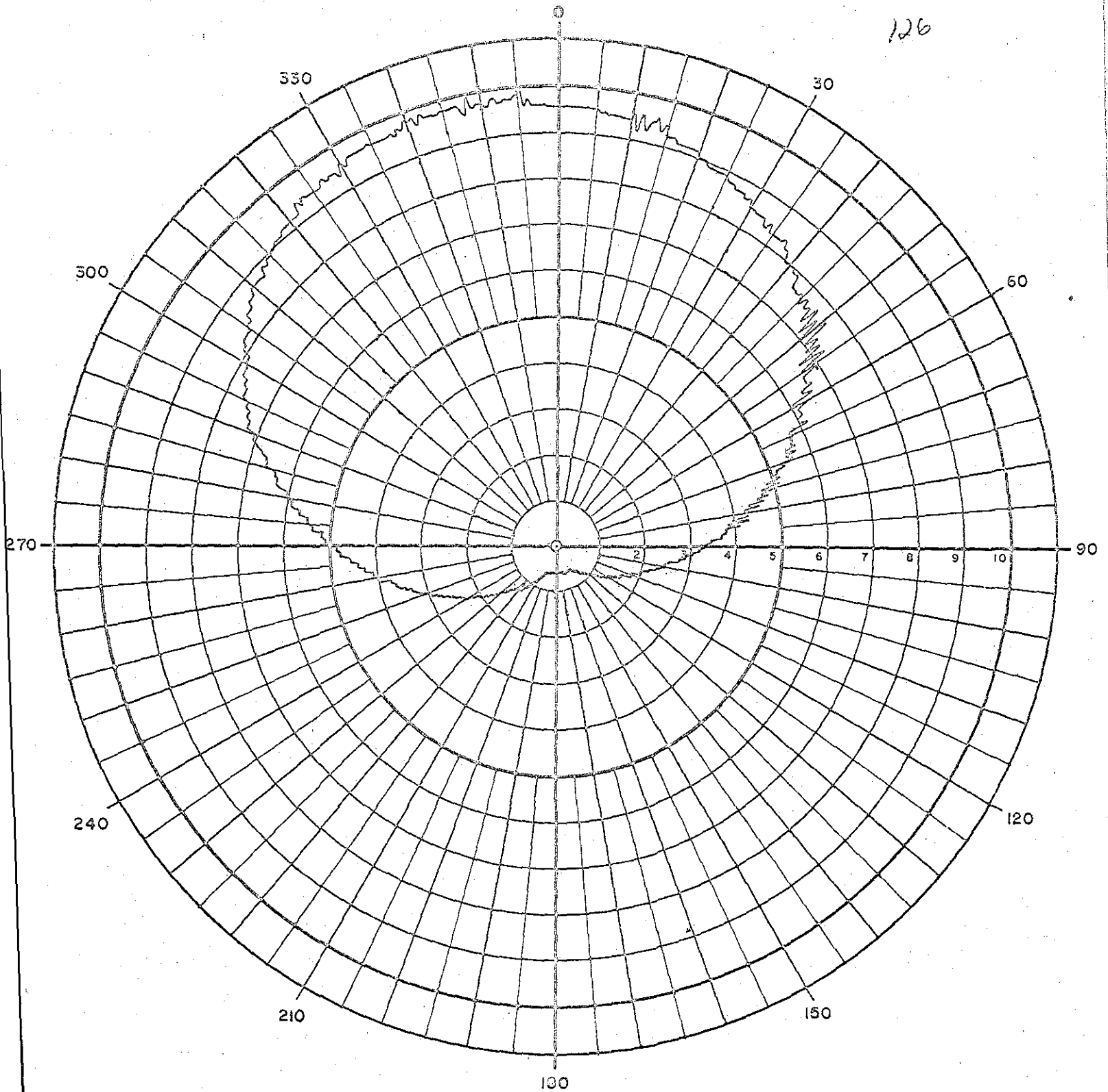
ANTENNA: _____	CUT: ϕ = _____ θ = _____	PATTERN NO.: _____
POLARIZATION: _____		DATE: _____
REMARKS: _____		FREQUENCY: <u>86</u>

JFD RESEARCH & DEVELOPMENT LABS, INC.

714 1/2 SO. RANDOLPH

CHAMPAIGN, ILLINOIS

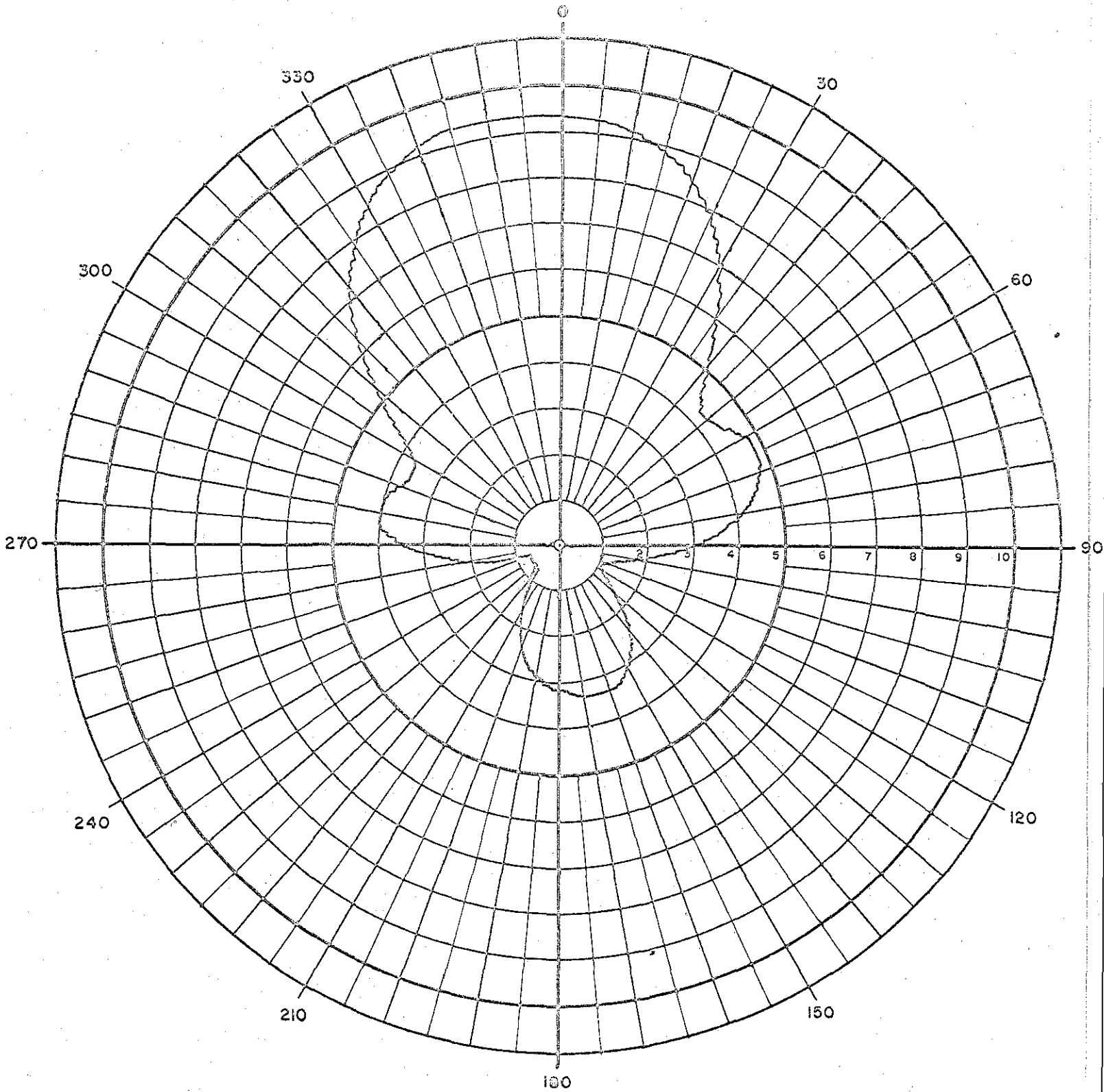
126



ANTENNA: _____	PATTERN NO.: _____
POLARIZATION: _____ CUT: ϕ = _____ θ = _____	DATE: _____
REMARKS: _____	FREQUENCY: <u>88</u>
_____	_____
_____	_____

714 1/2 SO. RANDOLPH

CHAMPAIGN, ILLINOIS

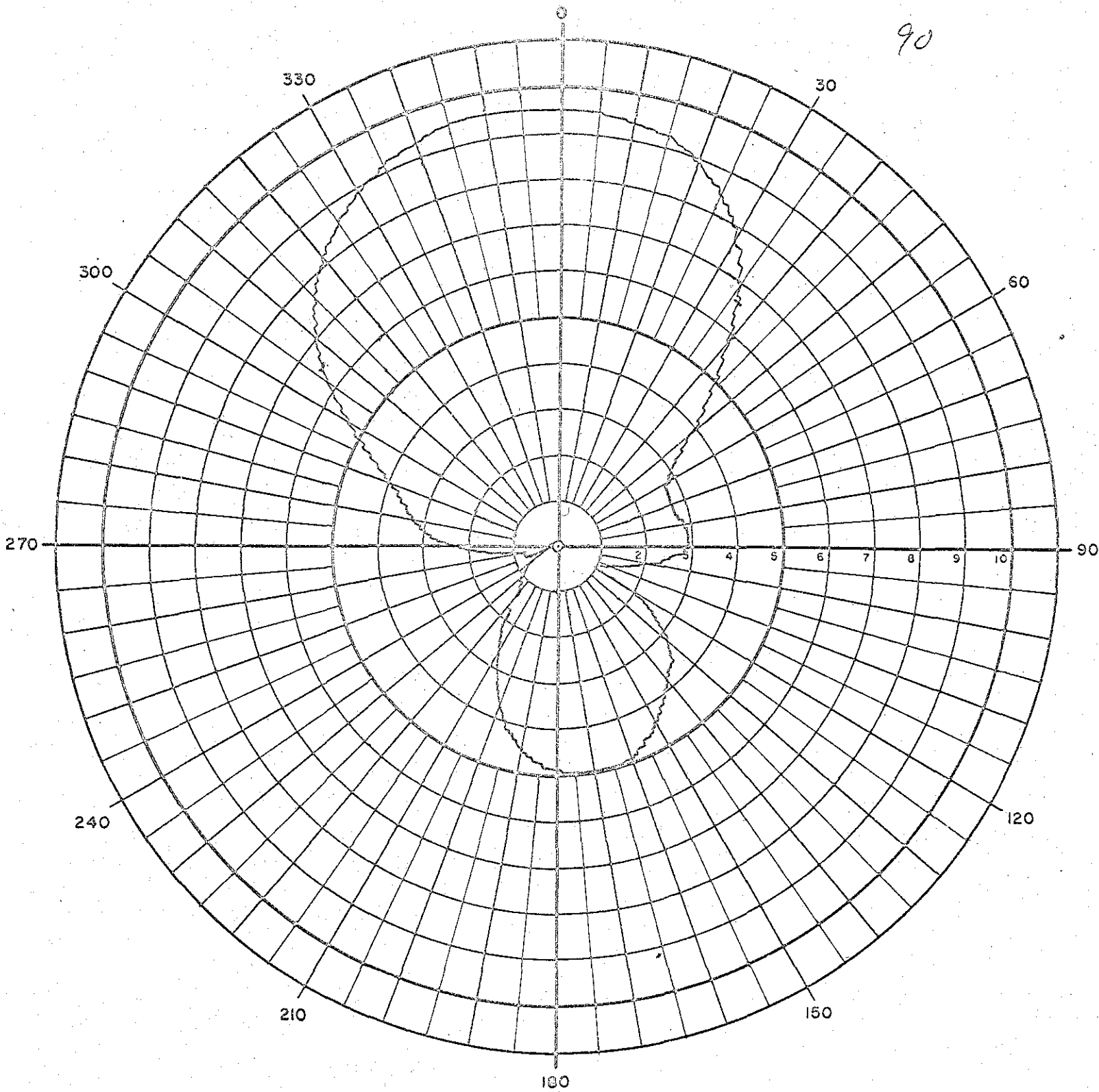


ANTENNA: <u>VULAV 18</u>	PATTERN NO.:	
POLARIZATION: <u>z</u>	CUT: $\phi =$ <u> </u> $\theta =$ <u> </u>	DATE: <u>12-4-63</u>
REMARKS: <u> </u>	FREQUENCY: <u>1166</u>	
<u> </u>		
<u> </u>		

714 1/2 SO. RANDOLPH

CHAMPAIGN, ILLINOIS

90



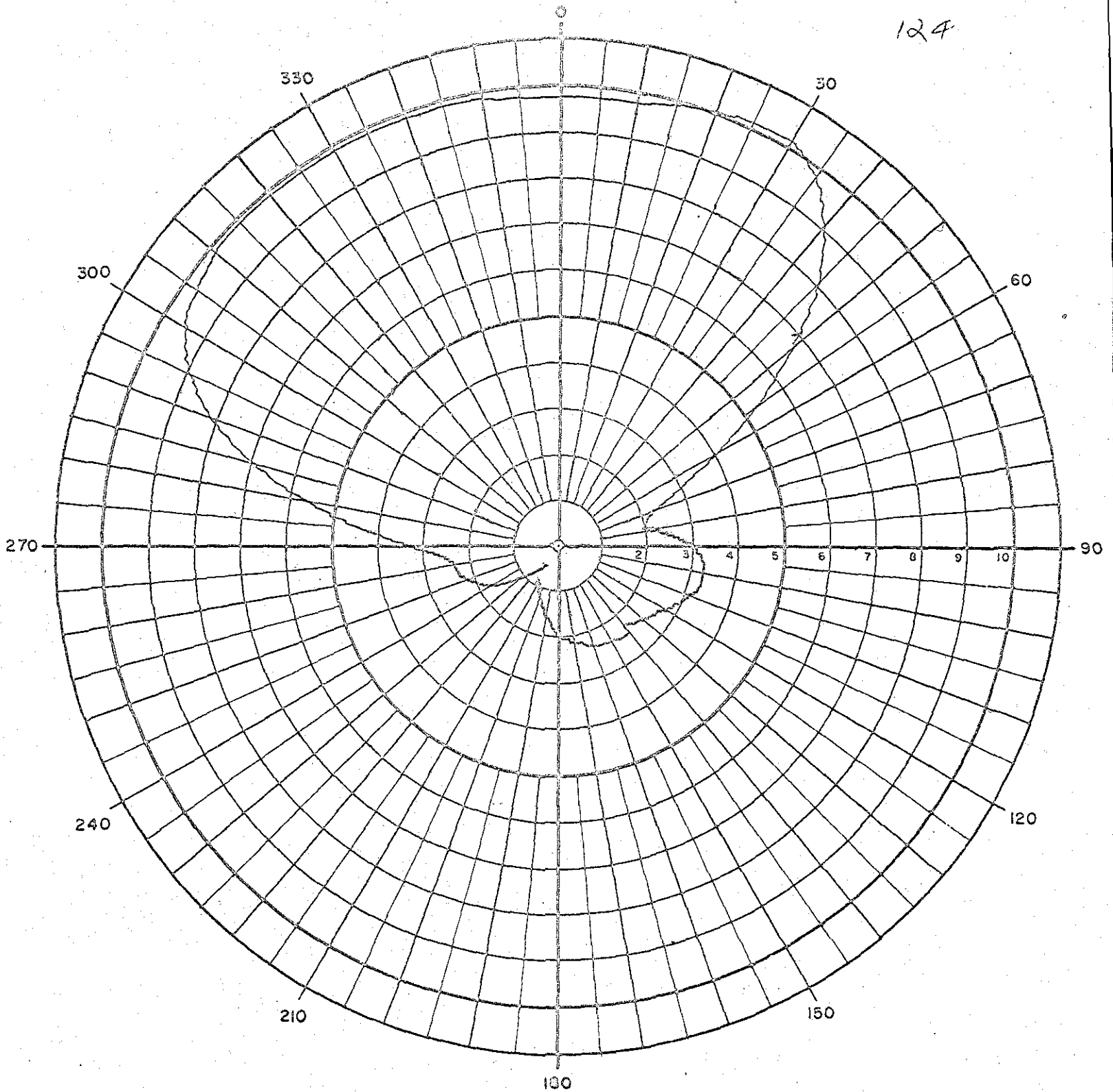
ANTENNA: <u>VOLPV-18</u>	PATTERN NO.: _____
POLARIZATION: <u>H</u> CUT: $\phi =$ _____ $\theta =$ _____	DATE: <u>12-4-63</u>
REMARKS: _____	FREQUENCY: <u>168</u> MHz
_____	_____
_____	_____

[Handwritten signature]

714 1/2 SO. RANDOLPH

CHAMPAIGN, ILLINOIS

124



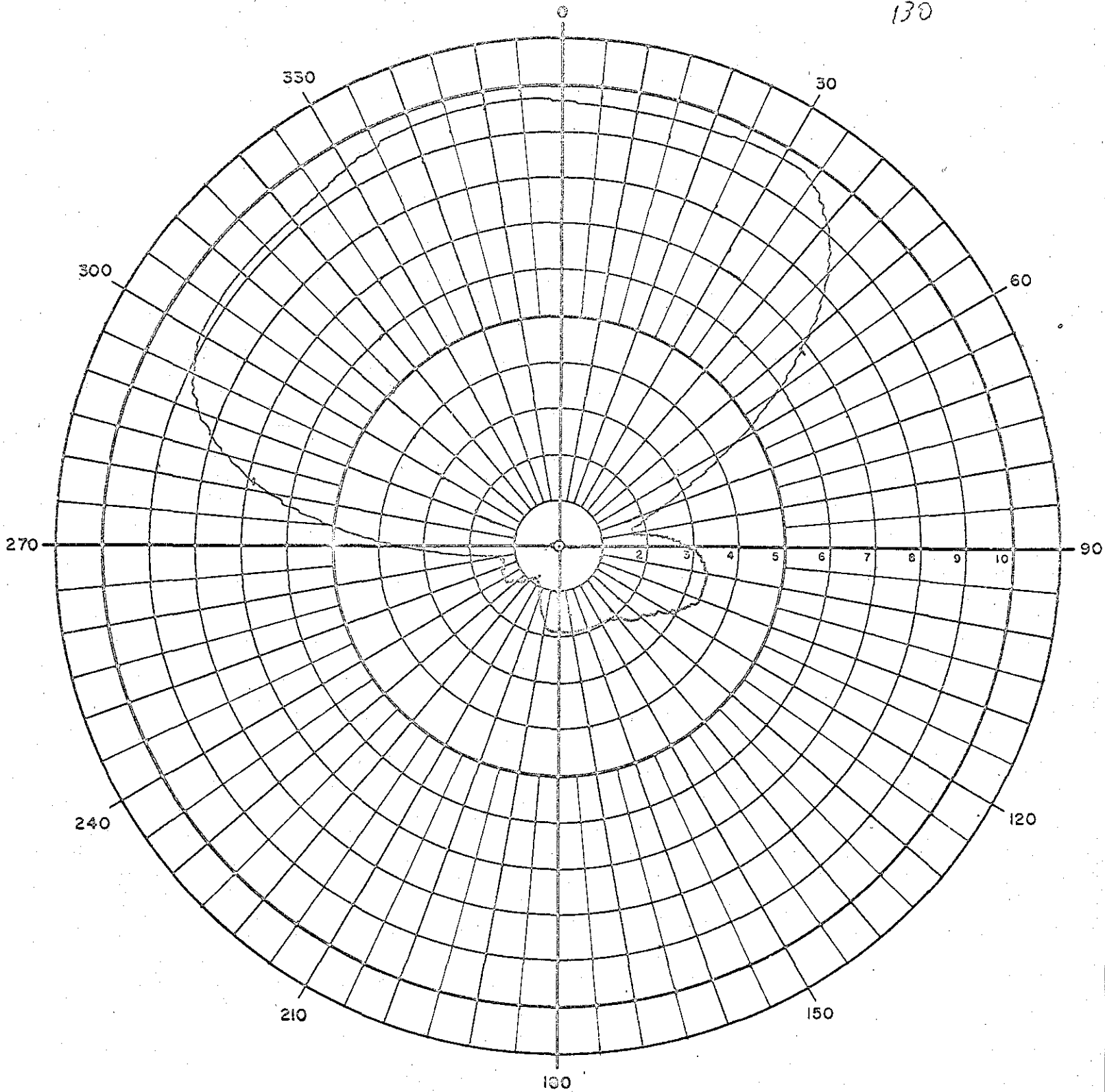
ANTENNA: <u>VOLPI-18</u>	PATTERN NO.:	
POLARIZATION: <u>H</u>	CUT: $\phi =$ <u> </u> $\theta =$ <u> </u>	DATE: <u>12-9-63</u>
REMARKS: <u> </u>	FREQUENCY: <u>174 mc</u>	
<u> </u>		
<u> </u>		

[Handwritten signature]

714 1/2 SO. RANDOLPH

CHAMPAIGN, ILLINOIS

130



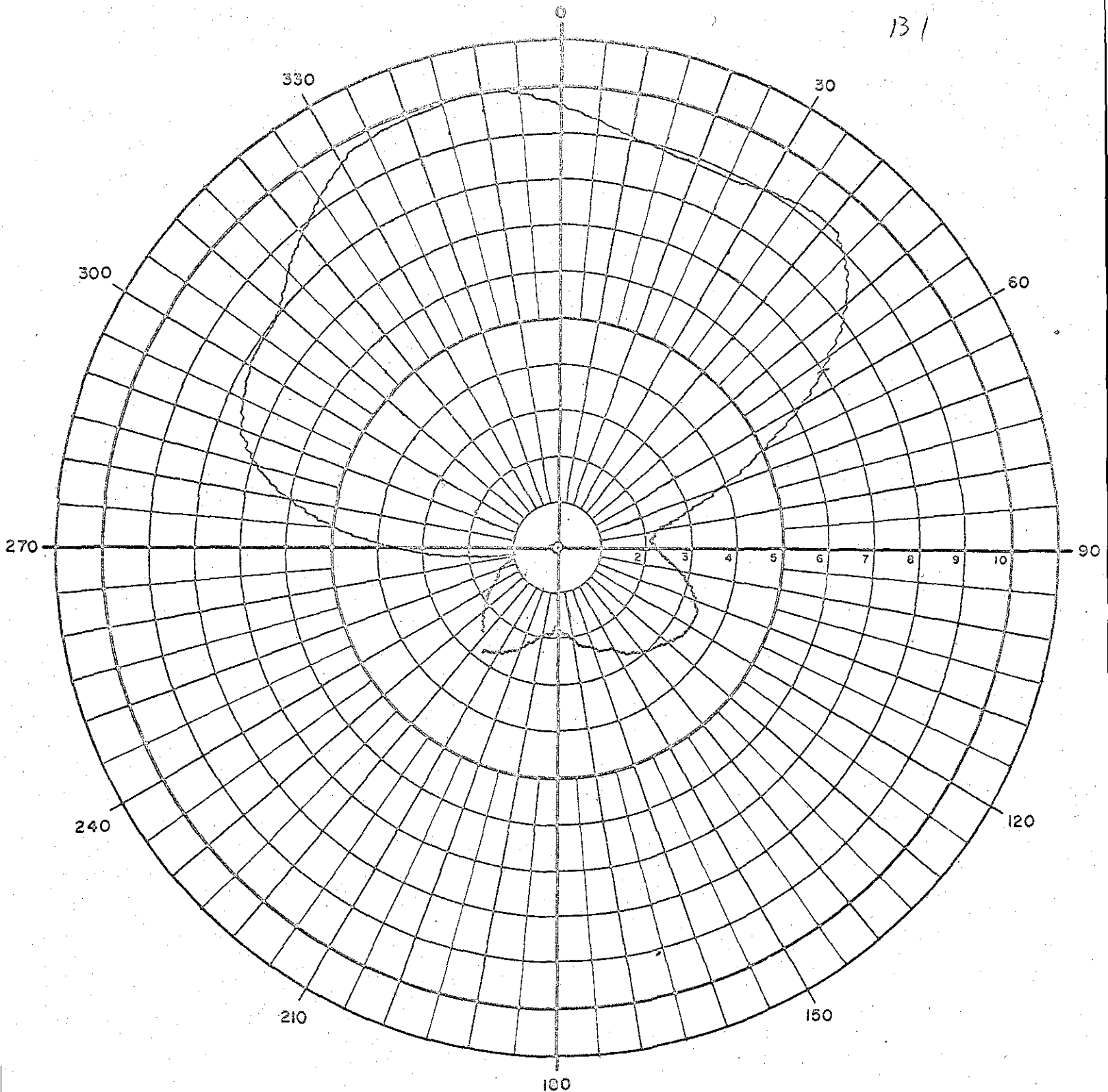
ANTENNA: <u>VII 91-30</u>	PATTERN NO.:	
POLARIZATION: <u>21</u>	CUT: $\phi =$ <u> </u> $\theta =$ <u> </u>	DATE: <u>12-4-63</u>
REMARKS: <u> </u>	FREQUENCY: <u>176 mc</u>	
<u> </u>		
<u> </u>		

[Handwritten signature]

714 1/2 SO. RANDOLPH

CHAMPAIGN, ILLINOIS

131



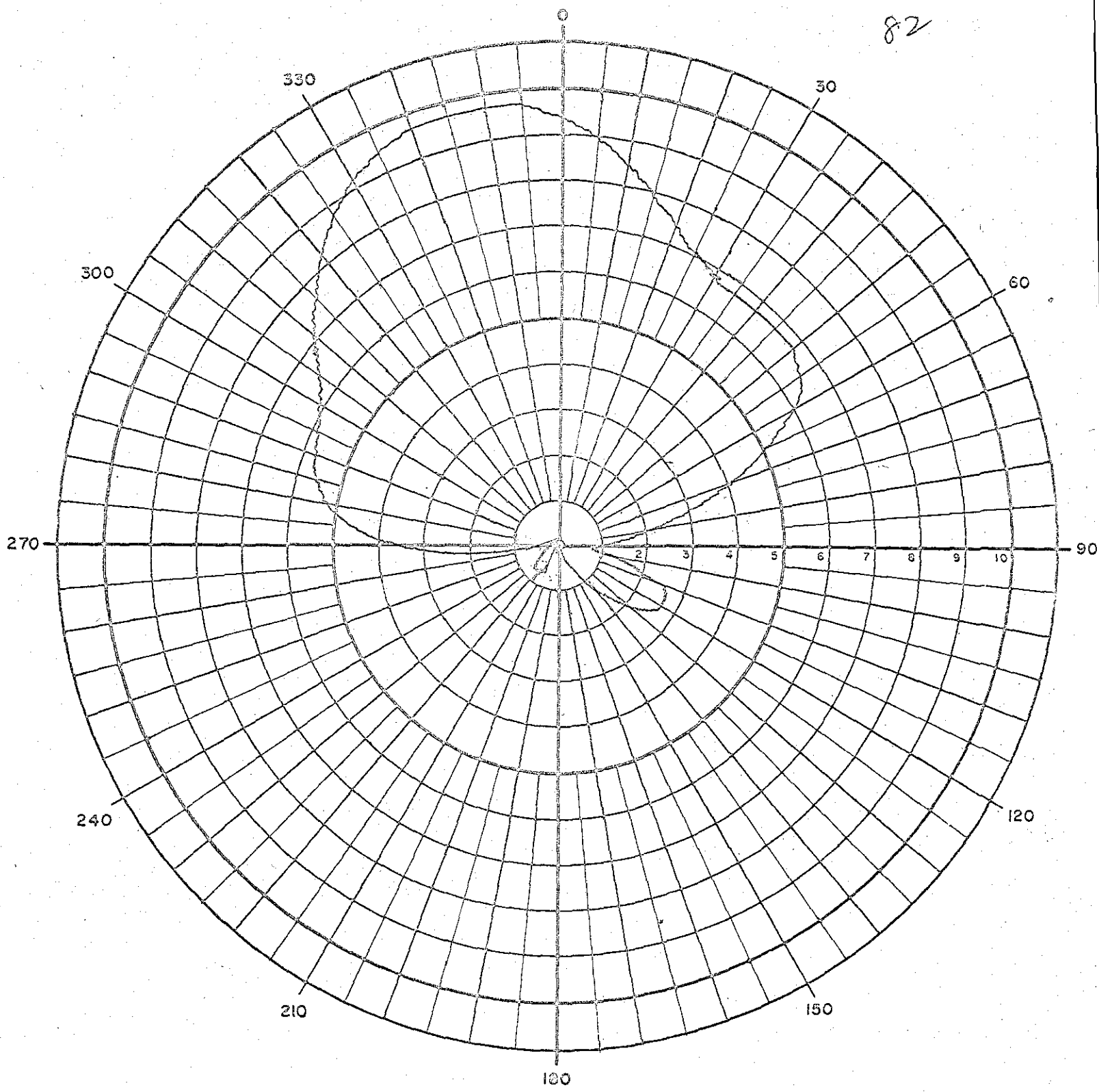
ANTENNA: <u>VULPV-18</u>	PATTERN NO.:	
POLARIZATION: <u>⊕</u>	CUT: $\phi =$ <u> </u> $\theta =$ <u> </u>	DATE: <u>12-4-59</u>
REMARKS: <u> </u>	FREQUENCY: <u>180</u>	
<u> </u>		
<u> </u>		

JFD RESEARCH & DEVELOPMENT LABS, INC.

714 SO. RANDOLPH

CHAMPAIGN, ILLINOIS

82



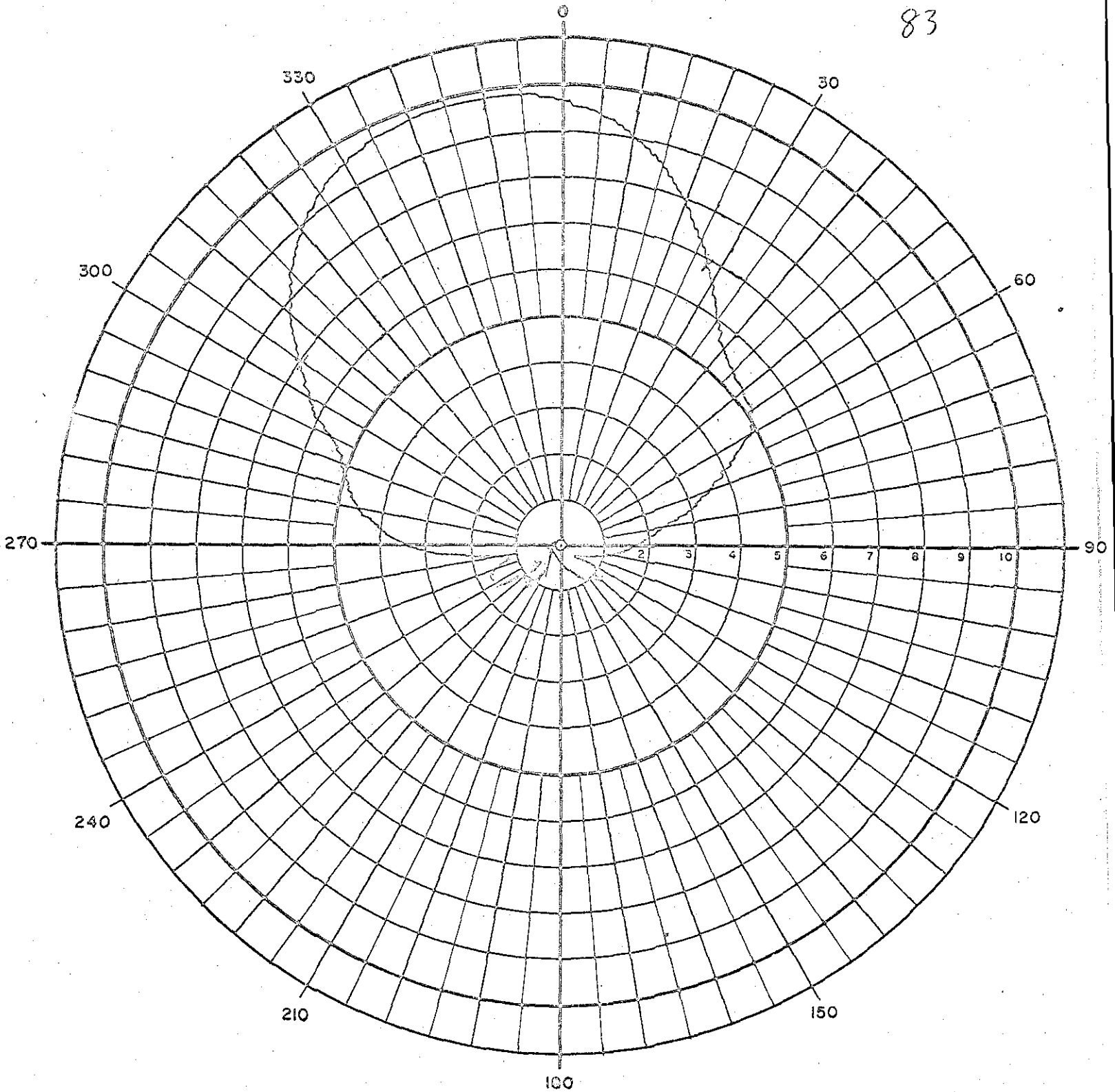
ANTENNA: <u>VULAV-1B</u>	PATTERN NO.:	
POLARIZATION: <u>H</u>	CUT: $\phi =$ <u> </u> $\theta =$ <u> </u>	DATE: <u>12-4-63</u>
REMARKS: <u>H</u>	FREQUENCY: <u>181</u>	

JFD RESEARCH & DEVELOPMENT LABS, INC.

714 1/2 SO. RANDOLPH

CHAMPAIGN, ILLINOIS

83



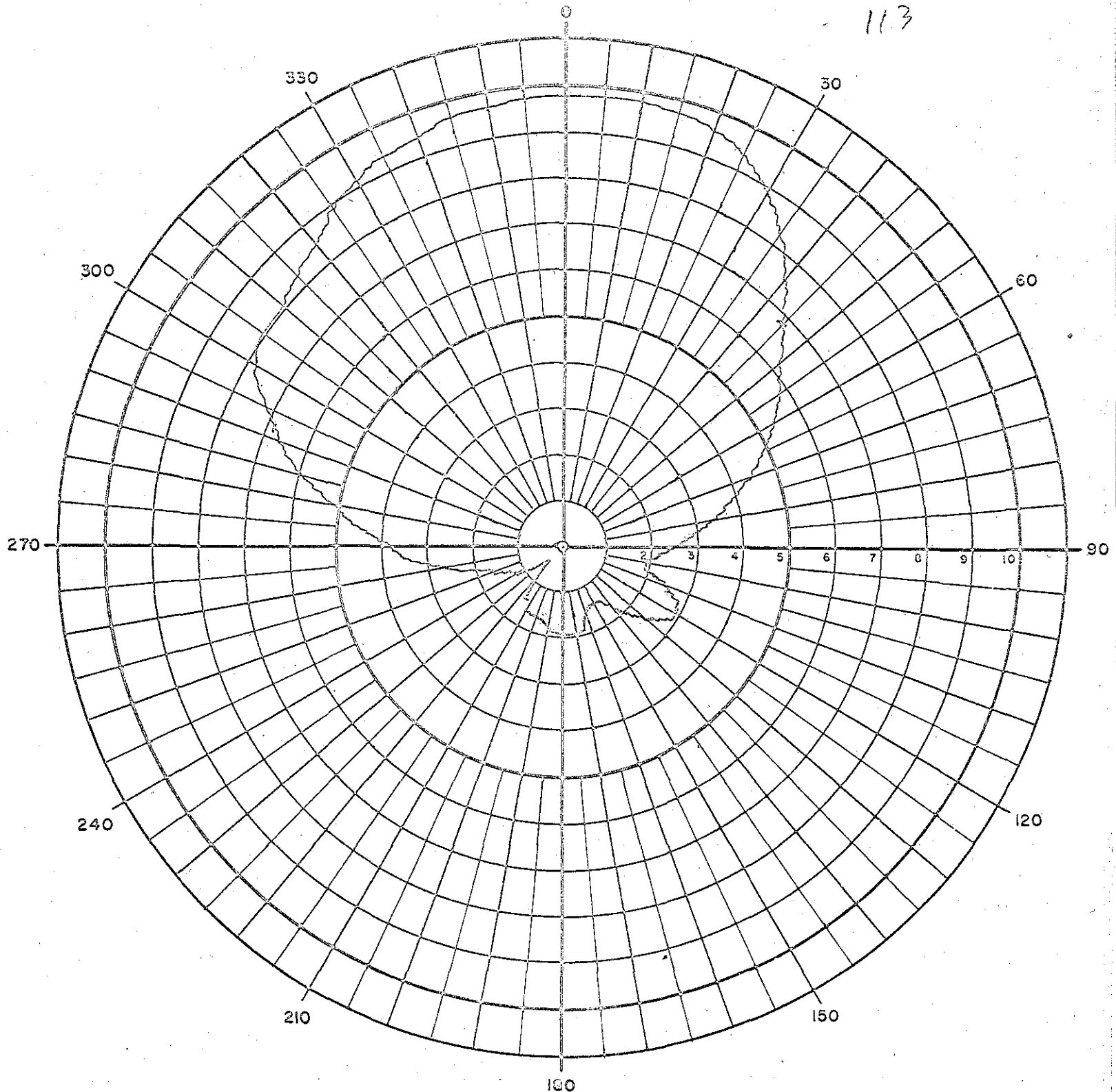
ANTENNA: <u>VOL PV-18</u>	PATTERN NO.:	
POLARIZATION: <u>H</u>	CUT: $\phi =$ <u> </u> $\theta =$ <u> </u>	DATE: <u>12-4-53</u>
REMARKS: <u> </u>	FREQUENCY: <u>192 mc</u>	
<u> </u>		
<u> </u>		

[Handwritten signature]

714 1/2 SO. RANDOLPH

CHAMPAIGN, ILLINOIS

113



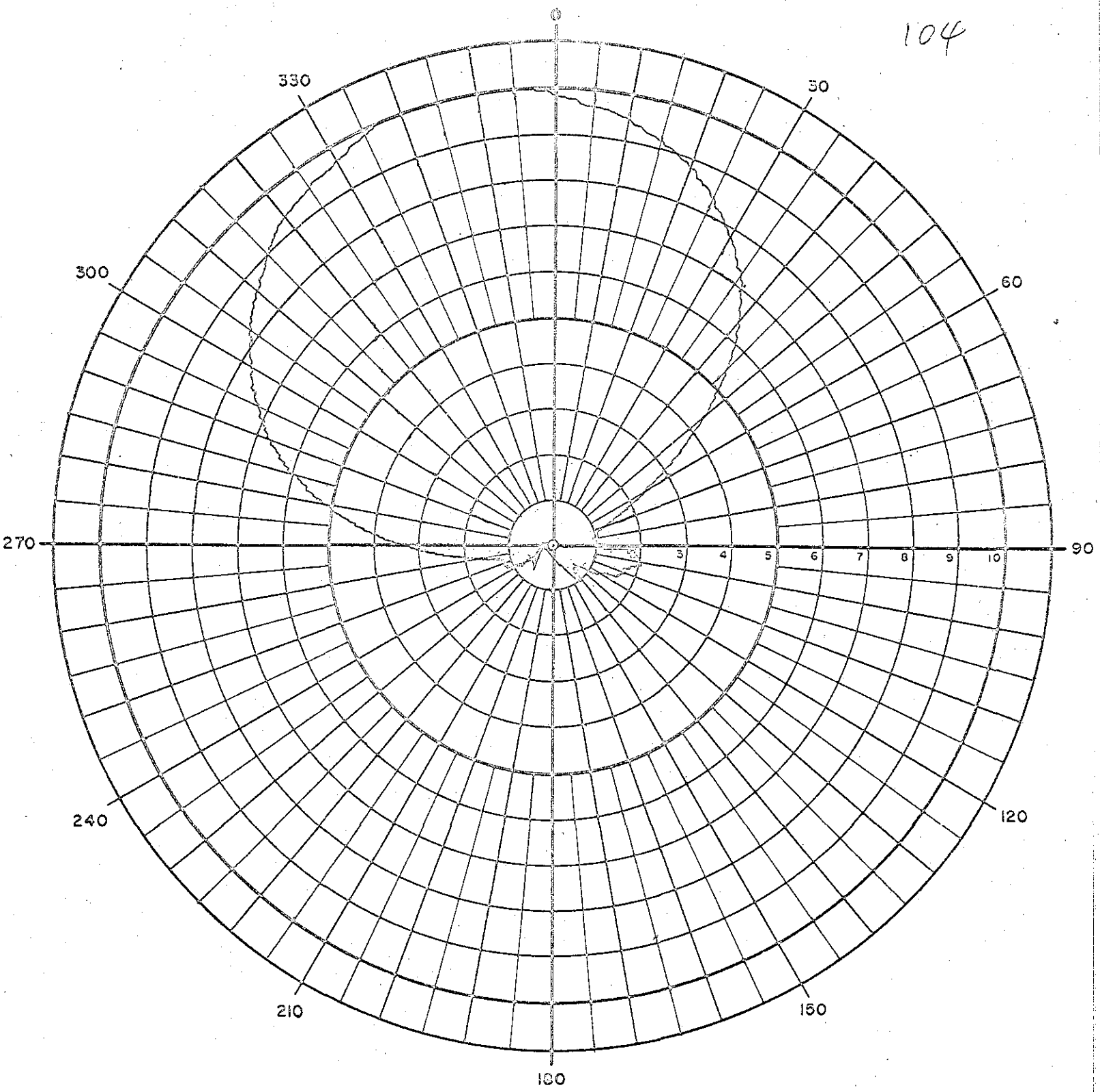
ANTENNA: <u>VOLPV -18</u>	PATTERN NO.:	
POLARIZATION: <u>φ</u>	CUT: φ= _____ θ= _____	DATE: <u>11-4-53</u>
REMARKS: _____	FREQUENCY: <u>198 MC</u>	_____
_____	_____	_____

JFD RESEARCH & DEVELOPMENT LABS, INC.

714 1/2 SO. RANDOLPH

CHAMPAIGN, ILLINOIS

104

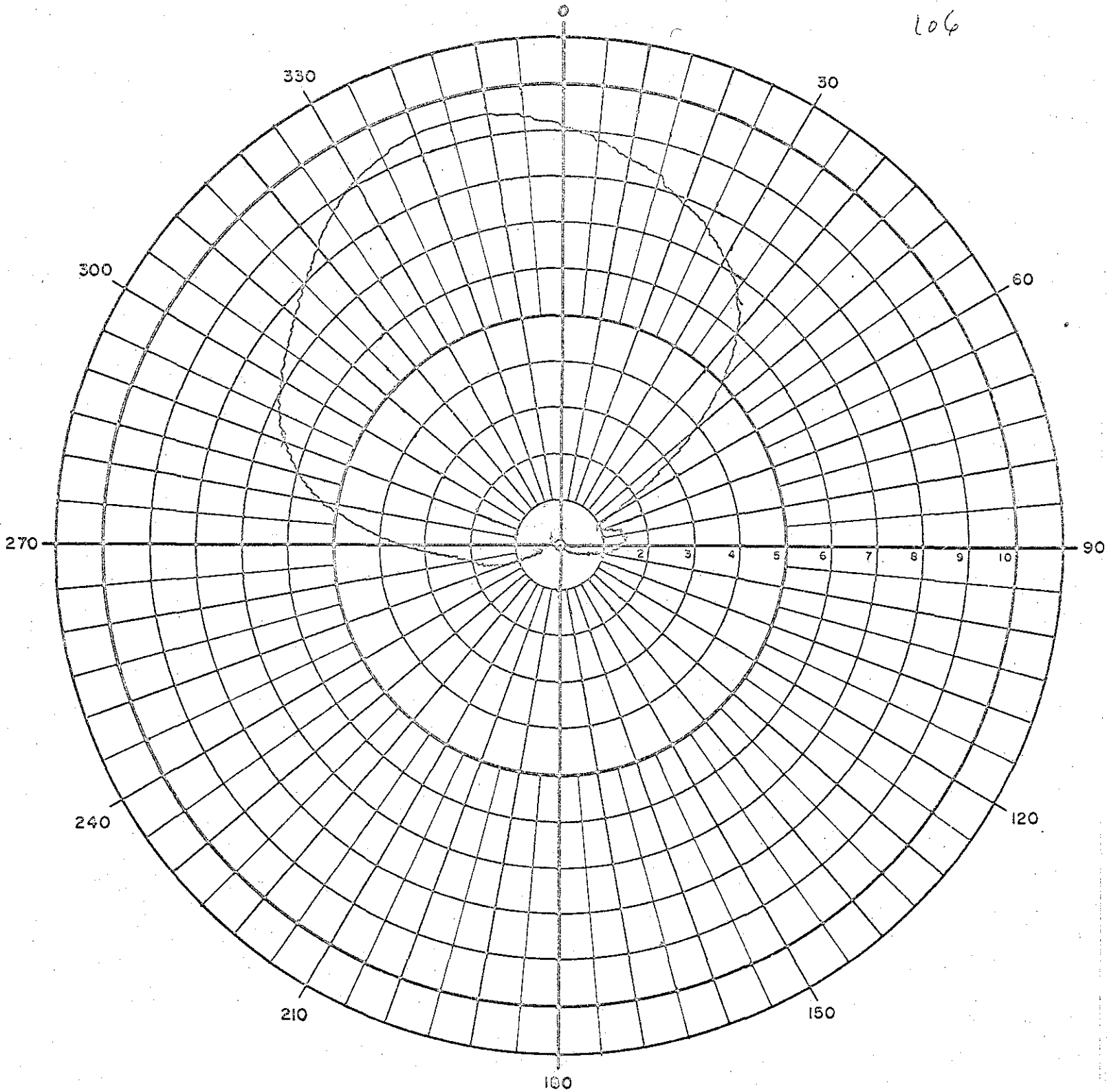


ANTENNA: <u>VUL PV-1B</u>	PATTERN NO.:
POLARIZATION: <u>H</u> CUT: $\phi =$ <u> </u> $\theta =$ <u> </u>	DATE: <u>12-4-53</u>
REMARKS: <u> </u>	FREQUENCY: <u>204 mc</u>
<u> </u>	
<u> </u>	

714 1/2 SO. RANDOLPH

CHAMPAIGN, ILLINOIS

106

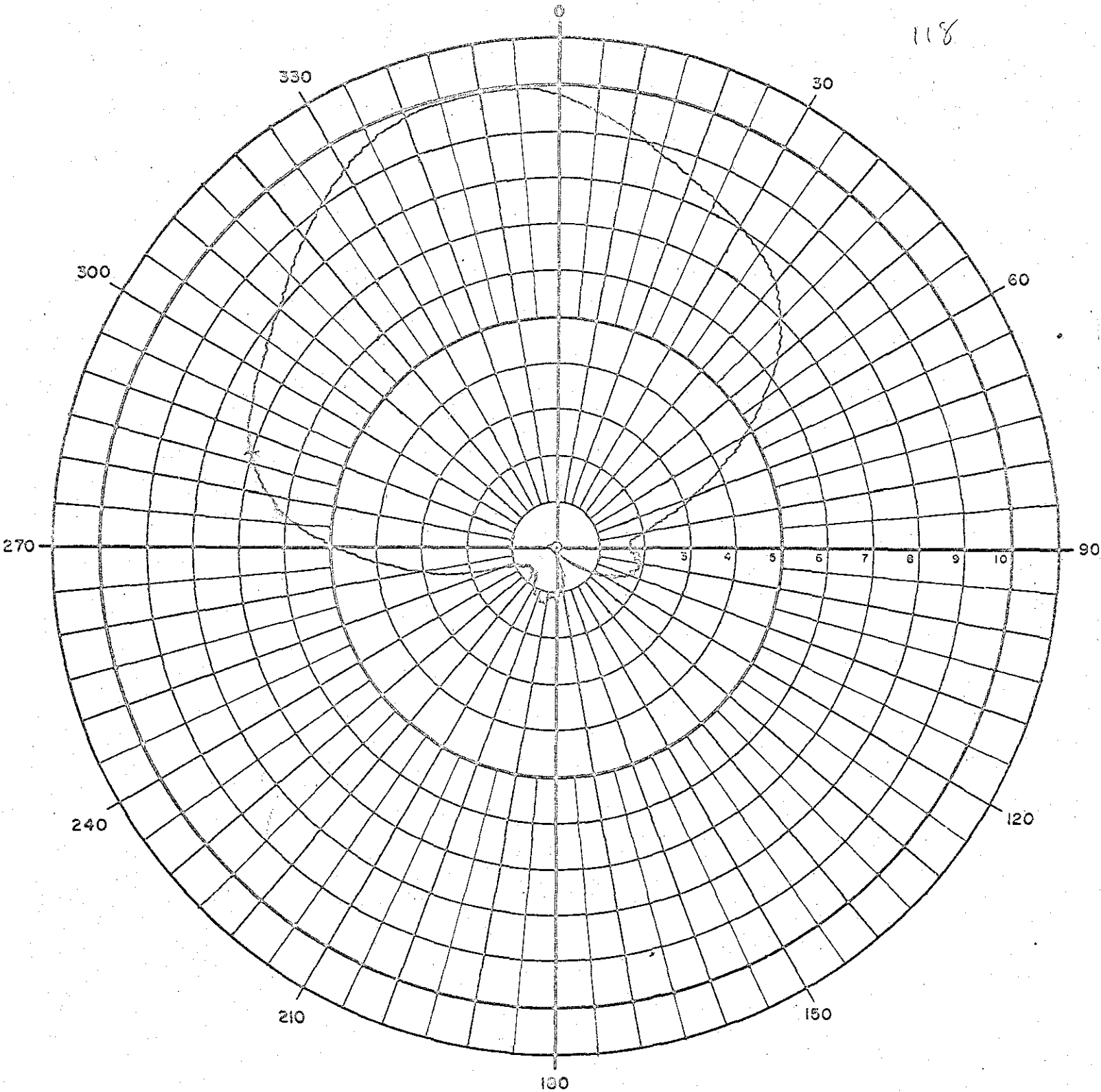


ANTENNA: <u>WJLPI-18</u>	PATTERN NO.:	
POLARIZATION: <u>H</u>	CUT: $\phi =$ <u> </u> $\theta =$ <u> </u>	DATE: <u>12-4-63</u>
REMARKS: <u> </u>	FREQUENCY: <u>210</u>	
<u> </u>		
<u> </u>		

714 1/2 SO. RANDOLPH

CHAMPAIGN, ILLINOIS

118



ANTENNA: <u>VOLPH-18</u>	PATTERN NO.:	
POLARIZATION: <u>*</u>	CUT: $\phi =$ <u> </u> $\theta =$ <u> </u>	DATE: <u>12-4-63</u>
REMARKS: <u> </u>	FREQUENCY: <u>216 mc</u>	
<u> </u>		
<u> </u>		

LAW OFFICES

HOFGREN, WEGNER, ALLEN, STELLMAN & McCORD

20 NORTH WACKER DRIVE
CHICAGO 60606

TELEPHONE
FINANCIAL 6-1630
AREA CODE 312

AXEL A. HOFGREN
ERNEST A. WEGNER
JOHN REX ALLEN
WILLIAM J. STELLMAN
JOHN B. McCORD
BRADFORD WILES
JAMES C. WOOD
STANLEY C. DALTON
RICHARD S. PHILLIPS
LLOYD W. MASON
TED E. KILLINGSWORTH
CHARLES L. ROWE
JAMES R. SWEENEY

W. E. RECKTENWALD
J. R. STAPLETON
WILLIAM R. MCNAIR
JOHN P. MILNAMOW
DILLIS V. ALLEN
W. A. VAN SANTEN, JR.
JOHN R. HOFFMAN
A. R. OSTRASKAS

October 31, 1966

VIA AIR MAIL

Mr. Isaac S. Blonder
Blonder Tongue Laboratories Inc.
9 Alling Street
Newark, New Jersey 07102

Dear Mr. Blonder:

- * I enclose the first two volumes of the testimony you gave at the depositions last week. I discussed these with Bob and he thought it might be best for you to read them first to see whether you believe them to be correct. I don't think you will need copies of the University's exhibits as you have them available to you. I have enclosed
- * copies of the JFD exhibits so that you can relate them to the testimony. I don't have a copy of the pencilled sketch, J-3. It may be this is still in the material Bob took back to Boston.

Very truly yours,

Richard S. Phillips

RSP:iag

* Enclosures

cc: Mr. Robert H. Rines

LAW OFFICES

HOFGREN, WEGNER, ALLEN, STELLMAN & McCORD

20 NORTH WACKER DRIVE
CHICAGO 60606

TELEPHONE
FINANCIAL 6-1630
AREA CODE 312

AXEL A. HOFGREN
ERNEST A. WEGNER
JOHN REX ALLEN
WILLIAM J. STELLMAN
JOHN B. McCORD
BRADFORD WILES
JAMES C. WOOD
STANLEY C. DALTON
RICHARD S. PHILLIPS
LLOYD W. MASON
TED E. KILLINGSWORTH
CHARLES L. ROWE
JAMES R. SWEENEY

W. E. RECKTENWALD
J. R. STAPLETON
WILLIAM R. McNAIR
JOHN P. MILNAMOW
DILLIS V. ALLEN
W. A. VAN SANTEN, JR.
JOHN R. HOFFMAN

October 31, 1966

VIA AIR MAIL

Mr. Robert H. Rines
c/o Mr. Isaac S. Blonder
Blonder Tongue Laboratories Inc.
9 Alling Street
Newark, New Jarsey 07102

Dear Bob:

* I enclose copies of the radiation pattern diagrams
for the LPV VU-18. I did not keep copies of this material
in our file.

Very truly yours,

Dick

Richard S. Phillips

RSP:iag

* Enclosures

LAW OFFICES

HOFGREN, WEGNER, ALLEN, STELLMAN & McCORD

20 NORTH WACKER DRIVE
CHICAGO 60606

TELEPHONE
FINANCIAL 6-1630
AREA CODE 312

AXEL A. HOFGREN
ERNEST A. WEGNER
JOHN REX ALLEN
WILLIAM J. STELLMAN
JOHN B. McCORD
BRADFORD WILES
JAMES C. WOOD
STANLEY C. DALTON
RICHARD S. PHILLIPS
LLOYD W. MASON
TED E. KILLINGSWORTH
CHARLES L. ROWE
JAMES R. SWEENEY

W. E. RECKTENWALD
J. R. STAPLETON
WILLIAM R. MCNAIR
JOHN P. MILNAMOW
DILLIS V. ALLEN
W. A. VAN SANTEN, JR.
JOHN R. HOFFMAN
A. R. OSTRASKAS

October 31, 1966

Mr. Basil P. Mann
Merriam, Marshall, Shapiro & Klose
30 West Monroe Street
Chicago, Illinois 60603

RE: U. of I. Foundation v. Blonder Tongue

Dear Pete:

* I enclose copies of lists of documents and other information which are to be produced by the various parties in the above suit. If your records do not agree with mine, please let me know so that there will be no misunderstanding on either side with regard to this material.

I understand from Mr. Costello that the materials we have requested from the University will be sent to you as soon as possible. Please let me know when you have them so that I can advise Bob Rines and he can arrange to come out and examine them.

Very truly yours,

Richard S. Phillips

RSP:iag

* Enclosures

cc: Mr. Robert H. Rines

University of Illinois Foundation v. Blonder Tongue v. JFD

Depositions 10/24/66
FOUNDATION EXHIBITS

U-1 Dart antenna
U-1a Hardware (bag)
U-2 Instruction Sheet for Exhibit 1
U-3 Golden Arrow
U-3a Mounting hardware - Golden Arrow
U-4 Golden Arrow instruction sheet
U-5 Golden Arrow carton
U-6 Manufacturing drawing-wire forms - Dart Earlier SK0527
U-7 Manufacturing drawing-wire forms - Dart Later MD-1551-6
U-8 Manufacturing drawing - wire forms - Arrow MC-1658-C
U-9 Schenfeld notebook No. 4
U-10 Wickert letter to Tongue - 7/25/66

BLONDER TONGUE IS TO BE PROVIDED THE FOLLOWING INFORMATION:

A. From JFD

1. Data for the gain curve of Exhibit B-33
2. Names of the parties who took the data
3. Insulator part drawing 123950001
4. Documents relating to the purchase and shipment of a B-T antenna (DART and/or ARROW) by JFD to JFD Laboratories

B. From the University of Illinois Foundation

1. Reports prepared by Isbell relating to log periodic antenna work
2. Copies of technical articles relating to the log periodic antenna work at the University of Illinois Antenna Laboratory
3. Access to and copies of the notebooks or other laboratory records of work done by or under the supervision of Isbell, Carrel or Mayes
4. Copies of the invention disclosures relating to Isbell 3,210,767 and Mayes & Carrel 3,108,280
5. Documents relating to the grant from the University of Illinois Foundation to Prof. Mayes relating to the adaptation of a periodic log antenna to the VHF television frequencies, including
 - a. The request by Prof. Mayes for support
 - b. The agreement, if any, between the Foundation and Prof. Mayes
 - c. Any documentary evidence of the consideration given or action taken by the Foundation with respect to the request
 - d. Reports by Prof. Mayes or anyone who is connected with the Foundation relating to the work supported by the Foundation
 - e. Identify by name and present address the technicians who worked with Prof. Mayes in developing the antenna for the Foundation

C. From Prof. Mayes or the Foundation

1. With regard to the meeting at which there was a discussion of the use of pictures of Prof. Mayes and University buildings, the University name and the like in advertising by JFD
 - a. The name, title and address of all persons who attended the meeting
 - b. Copies of any materials provided to those attending the meeting to illustrate the nature of the advertising which was discussed
 - c. Copies of minutes, reports or the like resulting from the meeting
2. Exhibit A of the Mayes-JFD consulting agreement
- B-24
3. A copy of the current Mayes-JFD consulting agreement
4. Copies of all minutes of meetings of the Foundation Board bearing on the license with JFD and its administration
5. Proposed ads from UIF and MMSK files
6. Correspondence relating to advertising and subsequent to that already produced
7. Letters from UI to UIF releasing the Mayes and Carrel inventions

BLONDER TONGUE TO GET FOR U/I FOUNDATION AND JFD

1. Dart and Arrow instructionsheets - earlier
2. Dart and Arrow instruction sheets - most recent
3. Insulator drawing - Dart and Arrow
4. Check Schenfeld notebook for data on boom spacing
5. Search for prior publication re periodic or log-periodic antennas
6. Early antennas used in tests - ship out for examination
7. Any other log antennas - ship out for examination
8. Check BT files for Wickert letter of 7/25/66
9. When did BT buy latest JFD double boom antenna - purchase order - before or after 9/1/66
10. Prosecution information re foreign patents - on BT antenna
11. Antitrust - give Sherman and Clayton Act Sections
12. LPV-TV - Test results and reports
13. LPV-VU - Test results and reports
14. Schenfeld residence address
15. Prints and technical reports re Color Ranger (but omit clamp - antenna only)
16. Any indemnification letters other than those already produced
17. All documents regarding adoption of the trademark RANGER for all antennas
18. Date of instruction sheet for RANGER
19. Invoice - first commercial sale - ARROW
Invoice - first commercial sale - DART
Invoice - first commercial sale - COLOR RANGER

JFD

CC 9 & 7

20. Invoice for insulator mold - ARROW, DART
21. Information re double boom antennas of others which do and do not infringe the Blonder patent
22. Any requests for licenses under Blonder 3,259,904
23. Home address of Jerry Cohn
Home address of _____ Lineman
24. Identify JFD ads which show all elements of claim 5, Blonder 3,259,904
25. Identify front end feed, strain relief and mast mounting in such ads
26. Identify JFD ads with false patent marking
27. Check LPV VU and LPV TV for false patent marking
28. Provide reports of field tests of Blonder Tongue antennas
29. List of patent infringement suits involving Blonder Tongue
30. List customers and potential customers lost by Blonder Tongue as a result of JFD and UIF misconduct
31. Provide evidence regarding loss of sales by Blonder Tongue, if it appears that such evidence is properly discoverable in an antitrust action

LAW OFFICES

HOFGREN, WEGNER, ALLEN, STELLMAN & McCORD

20 NORTH WACKER DRIVE
CHICAGO 60606

TELEPHONE
FINANCIAL 6-1630
AREA CODE 312

AXEL A. HOFGREN
ERNEST A. WEGNER
JOHN REX ALLEN
WILLIAM J. STELLMAN
JOHN B. McCORD
BRADFORD WILES
JAMES C. WOOD
STANLEY C. DALTON
RICHARD S. PHILLIPS
LLOYD W. MASON
TED E. KILLINGSWORTH
CHARLES L. ROWE
JAMES R. SWEENEY

W. E. RECKTENWALD
J. R. STAPLETON
WILLIAM R. MCNAIR
JOHN P. MILNAMOW
DILLIS V. ALLEN
W. A. VAN SANTEN, JR.
JOHN R. HOFFMAN
A. R. OSTRASKAS

October 31, 1966

Mr. Myron C. Cass
Silverman & Cass
105 West Adams Street
Chicago, Illinois 60603

RE: U. of I. Foundation v. Blonder Tongue

Dear Mr. Cass:

* I enclose copies of lists of documents and other information which are to be produced by the various parties in the above suit. If your records do not agree with mine, please let me know so that there will be no misunderstanding on either side with regard to this material.

Very truly yours,

Richard S. Phillips

RSP:lag

* Enclosures

cc: Mr. Robert H. Rines

LAW OFFICES

HOFGREN, WEGNER, ALLEN, STELLMAN & McCORD

20 NORTH WACKER DRIVE
CHICAGO 60606

TELEPHONE
FINANCIAL 6-1630
AREA CODE 312

AXEL A. HOFGREN
ERNEST A. WEGNER
JOHN REX ALLEN
WILLIAM J. STELLMAN
JOHN B. McCORD
BRADFORD WILES
JAMES C. WOOD
STANLEY C. DALTON
RICHARD S. PHILLIPS
LLOYD W. MASON
TED E. KILLINGSWORTH
CHARLES L. ROWE
JAMES R. SWEENEY

W. E. RECKTENWALD
J. R. STAPLETON
WILLIAM R. McNAIR
JOHN P. MILNAMOW
DILLIS V. ALLEN
W. A. VAN SANTEN, JR.
JOHN R. HOFFMAN

October 31, 1966

VIA AIR MAIL

Mr. Robert H. Rines
c/o Mr. Isaac S. Blonder
Blonder Tongue Laboratories Inc.
9 Alling Street
Newark, New Jersey 07102

Dear Bob:

* I enclose copies of the lists of exhibits identified on behalf of all the parties at the depositions. This should replace the prints you have of my pencilled notes.

* I also enclose two copies of the lists of material which Blonder Tongue is to provide to the Foundation and JFD and of the information to be provided by JFD, the Foundation and Prof. Mayes.

I had a phone call this morning from Sidney Fox. They have been unable to locate the documents which were identified during the depositions as J-2 through J-7. Except for J-6, these are all things which were produced on behalf of Blonder Tongue and it is possible that the marked originals are still in your possession. If they are, I suggest you have copies made and send the originals to me.

Good hunting with Mr. Finkle.

Sincerely yours,

Dick

Richard S. Phillips

RSP:iag

* Enclosures

October 31, 1966

VIA AIR MAIL

Mr. Robert H. Rines
c/o Mr. Isaac S. Blonder
Blonder Tongue Laboratories Inc.
9 Alling Street
Newark, New Jersey 07102

Dear Bob:

* I enclose copies of the lists of exhibits identified on behalf of all the parties at the depositions. This should replace the prints you have of my pencilled notes.

* I also enclose two copies of the lists of material which Blonder Tongue is to provide to the Foundation and JFD and of the information to be provided by JFD, the Foundation and Prof. Mayes.

I had a phone call this morning from Sidney Fox. They have been unable to locate the documents which were identified during the depositions as J-2 through J-7. Except for J-6, these are all things which were produced on behalf of Blonder Tongue and it is possible that the marked originals are still in your possession. If they are, I suggest you have copies made and send the originals to me.

Good hunting with Mr. Finkle.

Sincerely yours,

Richard S. Phillips

RSP:iag

* Enclosures

October 31, 1966

Mr. Basil P. Mann
Merriam, Marshall, Shapiro & Klose
30 West Monroe Street
Chicago, Illinois 60603

RE: U. of I. Foundation v. Blonder Tongue

Dear Pete:

* I enclose copies of lists of documents and other information which are to be produced by the various parties in the above suit. If your records do not agree with mine, please let me know so that there will be no misunderstanding on either side with regard to this material.

I understand from Mr. Costello that the materials we have requested from the University will be sent to you as soon as possible. Please let me know when you have them so that I can advise Bob Rines and he can arrange to come out and examine them.

Very truly yours,

Richard S. Phillips

RSP:iag

* Enclosures

cc: Mr. Robert H. Rines

October 31, 1966

Mr. Myron C. Cass
Silverman & Cass
105 West Adams Street
Chicago, Illinois 60603

RE: U. of I. Foundation v. Blonder Tongue

Dear Mr. Cass:

* I enclose copies of lists of documents and other information which are to be produced by the various parties in the above suit. If your records do not agree with mine, please let me know so that there will be no misunderstanding on either side with regard to this material.

Very truly yours,

Richard S. Phillips

RSP:iag

* Enclosures

cc: Mr. Robert H. Rines

W/Ltr-10/34

BLONDER TONGUE IS TO BE PROVIDED THE FOLLOWING INFORMATION:

A. From JFD

- Rec'd 12/9
1. Data for the gain curve of Exhibit B-33
 2. Names of the parties who took the data
 3. Insulator part drawing 123950001
 4. Documents relating to the purchase and shipment of a B-T antenna (DART and/or ARROW) by JFD to JFD Laboratories

B. From the University of Illinois Foundation

1. Reports prepared by Isbell relating to log periodic antenna work
2. Copies of technical articles relating to the log periodic antenna work at the University of Illinois Antenna Laboratory
3. Access to and copies of the notebooks or other laboratory records of work done by or under the supervision of Isbell, Carrel or Mayes
4. Copies of the invention disclosures relating to Isbell 3,210,767 and Mayes & Carrel 3,108,280
5. Documents relating to the grant from the University of Illinois Foundation to Prof. Mayes relating to the adaptation of a periodic log antenna to the VHF television frequencies, including
 - a. The request by Prof. Mayes for support
 - b. The agreement, if any, between the Foundation and Prof. Mayes
 - c. Any documentary evidence of the consideration given or action taken by the Foundation with respect to the request
 - d. Reports by Prof. Mayes or anyone who is connected with the Foundation relating to the work supported by the Foundation
 - e. Identify by name and present address the technicians who worked with Prof. Mayes in developing the antenna for the Foundation

C. From Prof. Mayes or the Foundation

1. With regard to the meeting at which there was a discussion of the use of pictures of Prof. Mayes and University buildings, the University name and the like in advertising by JFD
 - a. The name, title and address of all persons who attended the meeting
 - b. Copies of any materials provided to those attending the meeting to illustrate the nature of the advertising which was discussed
 - c. Copies of minutes, reports or the like resulting from the meeting
2. Exhibit A of the Mayes-JFD consulting agreement
- B-24
3. A copy of the current Mayes-JFD consulting agreement
4. Copies of all minutes of meetings of the Foundation Board bearing on the license with JFD and its administration
5. Proposed ads from UIF and MMSK files
6. Correspondence relating to advertising and subsequent to that already produced
7. Letters from UI to UIF releasing the Mayes and Carrel inventions

BLONDER TONGUE TO GET FOR U/I FOUNDATION AND JFD

1. Dart and Arrow instructionsheets - earlier
2. Dart and Arrow instruction sheets - most recent
3. Insulator drawing - Dart and Arrow
4. Check Schenfeld notebook for data on boom spacing
5. Search for prior publication re periodic or log-periodic antennas
6. Early antennas used in tests - ship out for examination
7. Any other log antennas - ship out for examination
8. Check BT files for Wickert letter of 7/25/66
9. When did BT buy latest JFD double boom antenna - purchase order - before or after 9/1/66
10. Prosecution information re foreign patents - on BT antenna
11. Antitrust - give Sherman and Clayton Act Sections
12. LPV-TV - Test results and reports
13. LPV-VU - Test results and reports
14. Schenfeld residence address
15. Prints and technical reports re Color Ranger (but omit clamp - antenna only)
16. Any indemnification letters other than those already produced
17. All documents regarding adoption of the trademark RANGER for all antennas
18. Date of instruction sheet for RANGER
19. Invoice - first commercial sale - ARROW
Invoice - first commercial sale - DART
Invoice - first commercial sale - COLOR RANGER

JFD

CC 9 & 7

Blue Tongue

Target for U/T Foundation and JFD

Don't # notes

1. Instruction sheets earlier
2. " " " " most recent
3. Insulator drawing: DART & ARROW -
Sheffield notebook
4. Check ~~HB~~ ^{HB} for data on boom spacing - antennas
5. Search for information re frequencies by providing ^{used in tests} _{for examination}
6. Early models of antennas - ~~Ship~~ ^{Ship} ~~antenna~~ ^{antenna}
7. Any other log antennas " " "
8. Check BT files for Wickert letters of 7/25/66
9. When did BT pay latest JFD double boom antenna Purchase Order - before or after 9/1/66
10. Provision info re foreign patents - ~~in~~ ⁱⁿ ~~the~~ ^{the} ~~area~~ ^{area}
11. ~~File~~ ^{File} ~~that~~ ^{that} ~~give~~ ^{give} ~~Shuman~~ ^{Shuman} & ~~Clayton~~ ^{Clayton} ~~that~~ ^{that} ~~sections~~ ^{sections}
12. LPV-TV - Test results + reports
13. LPV-VU - " " " "
14. Sheffield residence address -

JFD

2-747

set

15. ~~Print & technical reports re Color Ranger (but omit Clong = antenna only)~~
16. Any other indemnification letters other than those already produced
17. All documents regarding adoption of ^{the} TM Ranger for all antennas.
18. Date of instruction sheet for ~~Color Ranger~~
19. Invoice st Commercial sale - Arrow
- " " " " Dart
- " " " " Color Ranger
20. Invoice for insulator mold - Arrow - Dart
21. Info re double boom antennas ^{of others} which do + do not infringe ^{the Block} _{Pat} ^{Stagle} & ^{Sledge} ^{Finney}

(over)

Identify JFD ad which shows all elements
of Block - cl 5

Identify front end feed in - strain relay -
me & mounting - in ad

Identify ads re false patent marking

Check LPV VU & TV - re false patent marking

Report of field tests of BT antennas -

^{pat. in p.}
List of suits involving B.T.

~~Loss of~~ Customers lost
Sales lost. - (One anti trust) -
Potential customers lost

J-8 3,016,510

BLONDER * TONGUE

Laboratories Inc. / 9 Alling St., Newark, N. J. 07102 / 201 Market 2-8151

RECEIVED

NOV - 3 1966

November 2, 1966

RINES AND RINES
NO. TEN POST OFFICE SQUARE, BOSTON

Mr. Robert H. Rines
Rines & Rines
Ten Post Office Square
Boston, Massachusetts

Dear Bob:

I kept one copy of the list of materials Blonder-Tongue is to provide.

Should I ship them out as I get them or collect them?

Sincerely,

Blonder-Tongue Laboratories, Inc.



Isaac S. Blonder
Chairman of the Board

ISB:dal
Enc.

LAW OFFICES

HOFGREN, WEGNER, ALLEN, STELLMAN & McCORD

20 NORTH WACKER DRIVE
CHICAGO 60606

TELEPHONE
FINANCIAL 6-1630
AREA CODE 312

AXEL A. HOFGREN
ERNEST A. WEGNER
JOHN REX ALLEN
WILLIAM J. STELLMAN
JOHN B. McCORD
BRADFORD WILES
JAMES C. WOOD
STANLEY C. DALTON
RICHARD S. PHILLIPS
LLOYD W. MASON
TED E. KILLINGSWORTH
CHARLES L. ROWE
JAMES R. SWEENEY

W. E. RECKTENWALD
J. R. STAPLETON
WILLIAM R. MCNAIR
JOHN P. MILNAMOW
DILLIS V. ALLEN
W.A. VAN SANTEN, JR.
JOHN R. HOFFMAN
A. R. OSTRASKAS

November 3, 1966

Mr. I. S. Blonder
Blonder Tongue Laboratories Inc.
9 Alling Street
Newark, New Jersey 07102

Dear Mr. Blonder:

* I enclose two volumes of your testimony. I think pages 139 through 290 correspond with one of the volumes I sent you earlier, but with the pages renumbered.

I received the copies of your drawings of the wire forms for the DART and ARROW antennas and have sent them on to the attorneys for JFD and the Foundation.

Very truly yours,

Richard S. Phillips

RSP:lag

* Enclosures

cc: Mr. Robert H. Rines

RECEIVED

NOV - 7 1966

RINES AND RINES
NO. TEN POST OFFICE SQUARE, BOSTON

November 9, 1966

Richard S. Phillips, Esq.
Hofgren, Wegner, Allen, Stellman & McCord
20 North Wacker Drive
Chicago, Illinois 60606

Re: UIF v. BT v. JFD -Cross Claim

Dear Mr. Phillips:

Acknowledging your letter of November 2nd with enclosures, since we are pushed for time, we would appreciate it if you would file any necessary answer to the JFD cross claim.

Very truly yours,

RINES AND RINES

MGH

By _____

1/9

Helec

1/ Phillip's Chi - WL 20 21 10
 2/ 20 21 10 → JFD 20 21 10

LAW OFFICES

HOFGREN, WEGNER, ALLEN, STELLMAN & McCORD

20 NORTH WACKER DRIVE

CHICAGO 60606

TELEPHONE
FINANCIAL 6-1630
AREA CODE 312

AXEL A. HOFGREN
ERNEST A. WEGNER
JOHN REX ALLEN
WILLIAM J. STELLMAN
JOHN B. McCORD
BRADFORD WILES
JAMES C. WOOD
STANLEY C. DALTON
RICHARD S. PHILLIPS
LLOYD W. MASON
TED E. KILLINGSWORTH
CHARLES L. ROWE
JAMES R. SWEENEY

W. E. RECKTENWALD
J. R. STAPLETON
WILLIAM R. McNAIR
JOHN P. MILNAMOW
DILLIS V. ALLEN
W. A. VAN SANTEN, JR.
JOHN R. HOFFMAN

November 2, 1966

Mr. Robert H. Rines
Rines and Rines
No. Ten Post Office Square
Boston, Massachusetts 02109

Dear Bob:

* I enclose a copy of the JFD reply and a cross-claim with respect to mismarking of a Blonder Tongue patent. The defenses with regard to the charge of infringement of the Blonder Tongue patent include all the standard recitals without any specific allegations. Paragraph F, page 7, advances a novel ground for invalidity that no claim of the patent is generic to the two species disclosed.

Will you prepare the answer to the cross-claim or should we?

Very truly yours,

Dick

Richard S. Phillips

RSP:iag

* Enclosure

RECEIVED

NOV - 4 1966

RINES AND RINES
NO. TEN POST OFFICE SQUARE, BOSTON

SEND TO R. RINES
PER V. S. BLONDER

Blonder-Tongue's Antenna Charges Denied by JFD

CHICAGO. — JFD Electronics Co., Brooklyn, N. Y., joined the University of Illinois Foundation in denying in Federal Court that they conspired to restrain competition in television and FM antennas and infringe a patent owned by Blonder-Tongue Laboratories, Inc.

JFD says it was formerly known as JFD Electronics Corp. and is now a division of Stratford Retreat House, a religious corporation authorized under New York State law.

The conspiracy and infringement charges are in Blonder-Tongue's counterclaim to the foundation's suit charging B-T infringes Patent No. 3,210,767, for frequency-independent, unidirectional antennas for television and radio. B-T, Newark, N. J., denied the charge and asked for judgment that the patent is invalid and not infringed.

JFD, exclusive licensee under the foundation's patent, denies it and the foundation changed the design of some of their antennas to copy the invention claimed in B-T's Patent No. 3,259,904, for ultra-high-frequency antennas with combined support and lead-in. B-T's patent, JFD charges, is invalid because of prior art and patents.

B-T says antennas covered by its patent are accused of infringing the foundation's patent.

JFD and the foundation also deny they have falsely represented that the foundation's patent embraces all antennas of the so-called log-periodic type and that only JFD has the right to make such antennas. And they deny they have falsely labeled and disparaged competitor's products.

JFD charges further that B-T uses Patent No. 3,016,510 on Golden Dart antennas to deceive the public. It charges B-T knows the patent does not cover certain Golden Dart antennas.

It asks the court to enjoin B-T from further allegedly false use of the patent number, fine B-T \$500 for each instance of false patent marking and award it half the fine.

RECEIVED

NOV - 8 1966

RINES AND RINES
NO. TEN POST OFFICE SQUARE, BOSTON

November 14, 1966

Mr. James J. Costello
Legal Counsel
University of Illinois
258 Administration Building
Urbana, Illinois

RE: University of Illinois Foundation v.
Blonder-Tongue v. JPD

Dear Mr. Costello:

* Pete Mann advised me that some of the records which we have requested from the Foundation were University documents. Accordingly, I have directed another subpoena to Prof. Mayes. A copy is enclosed for your information. If there is any question, please call me.

Very truly yours,

Richard S. Phillips

RSP:iag

* Enclosure

cc: Prof. Paul E. Mayes
Mr. Basil P. Mann
Mr. Myron C. Cass
Mr. Robert H. Rines

United States District Court

FOR THE

THE UNIVERSITY OF ILLINOIS FOUNDATION,
 Plaintiff and Counterclaim Defendant,
 vs.
 BLONDER-TONGUE LABORATORIES, INC.,
 Defendant and Counterclaimant,
 vs.
 JFD ELECTRONICS CORPORATION,
 Counterclaim Defendant.

CIVIL ACTION FILE NO. _____

No. 66 C 567

TO: Paul E. Mayes
 Room 455, Electrical Engineering Building
 University of Illinois
 Urbana, Illinois

YOU ARE HEREBY COMMANDED to appear in the United States District Court for the
 produce for inspection and District of copying at the offices of Merriam,
 Marshall, Shapiro & Klose, in the city of 30 West Adams Street, in the
 city of Chicago, Illinois, the following:

1. Reports prepared by Dwight E. Isbell relating to log periodic antenna work.
2. Copies of all technical articles relating to the log periodic antenna work at the University of Illinois Antenna Laboratory.
3. The notebooks or other laboratory records of work done by or under the supervision of Dwight E. Isbell, Robert L. Carrel or Paul E. Mayes, relating to log periodic antennas.

November 14, 1966.
 Hofgren, Wegner, Allen,
 Stellman & McCord
 Attorney for

Blonder-Tongue Laboratories, Inc.
 Address

20 North Wacker Drive
 Chicago, Illinois 60606

Robert A. Wagner
 Clerk.
 By *William C. Kelly*
 Deputy Clerk.

RETURN ON SERVICE

Received this subpoena at _____ on _____
 and on _____ at _____
 served it on the within named _____
 by delivering a copy to h _____ and tendering to h _____ the fee for one day's attendance and the mileage
 allowed by law.¹

Dated: _____, 19____
 By _____

Service Fees
 Travel _____\$
 Services _____
 Total _____\$

Subscribed and sworn to before me, a _____ this _____
 day of _____, 19____.

¹ Fees and mileage need not be tendered to the witness upon service of a subpoena issued in behalf of the United States or an officer or agency thereof. 28 USC 1825.

NOTE.—Affidavit required only if service is made by a person other than a United States Marshal or his deputy.

CHARLES J. MERRIAM
WILLIAM A. MARSHALL
JEROME B. KLOSE
NORMAN M. SHAPIRO
BASIL P. MANN
CLYDE V. ERWIN, JR.
ALVIN D. SHULMAN
EDWARD M. O'TOOLE
ALLEN H. GERSTEIN
OWEN J. MURRAY
DONALD E. EGAN
NATE F. SCARPELLI

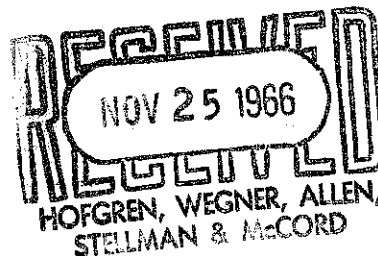
LAW OFFICES

MERRIAM, MARSHALL, SHAPIRO & KLOSE

THIRTY WEST MONROE STREET
CHICAGO, ILLINOIS 60603

TELEPHONE
FINANCIAL 6-5750

November 23, 1966



Mr. Richard S. Phillips
Hofgren, Wegner, Allen,
Stellman & McCord
Suite 2200
20 North Wacker Drive
Chicago, Illinois 60606

Re: University of Illinois Foundation
v. Blonder-Tongue Laboratories, Inc.
v. JFD Electronics Corporation
Civil Action No. 66 C 567

Dear Dick:

We have just received a copy of Mr. Finkel's deposition, but do not have copies of the new exhibits (i.e., Exhibits B-101 through B-113). Would you please supply me with a copy of these exhibits.

Very truly yours,

Basil P. Mann

BPM/mta

11/25 -
Sent copy to Kenes w/
request for copies -
RSP

November 23, 1966

Mr. Myron C. Cass
Silverman & Cass
105 West Adams Street
Chicago, Illinois 60603

RE: UIP v. BT v. JPD

Dear Mike:

I have your letter of November 21 regarding the material to be produced. I have checked this against the list I sent you with my letter of October 31 and find only one item on your list which was not on mine. This is the listing of the prior art resulting from a search. I had not included it in my list as there was some question at the time regarding the propriety of the request. We have had subsequent correspondence on this.

I believe that item 8 of my list was clarified in the New York depositions of Mr. Finkel. Item 11 was covered orally during the Chicago deposition.

Very truly yours,

Richard S. Phillips

RSP:iag

cc: Mr. Robert H. Rines
Mr. I. S. Elender
Mr. Basil P. Mann

LAW OFFICES

Silverman & Cass

PATENTS • TRADEMARKS • COPYRIGHTS

105 W. ADAMS STREET • CHICAGO, ILLINOIS, U.S.A. 60603

I. IRVING SILVERMAN
MYRON C. CASS
SIDNEY N. FOX

JAMES L. KNIGHT
GERALD R. HIBNICK, IND. BAR

November 21, 1966

TELEPHONE 726-6006
FAX 312
CABLE
NOV 23 1966
HOFGREN, WEGNER, ALLEN,
STELLMAN & McCORD
6-418

Richard S. Phillips, Esq.
Hofgren, Wegner, Allen, Stelman & McCord
20 N. Wacker Drive - S. 2200
Chicago, Illinois

Re: U. of I. Foundation v. Blonder-Tongue v. JFD -
Civil Action No. 66 C 567.

Dear Dick:

To expedite discovery in compliance with the local rules, there is itemized below a list of items which were culled from Mr. Blonder's deposition as desired to be produced by you. The listing below also identifies the page of the transcript of Mr. Blonder's deposition on which reference is made to the item.

RSP
List

Page No.	Item
9 1254	Purchase Order for an antenna of the "new LPV series" referred to in J-2.
10 1201	Information in respect of the prosecution of corresponding patent applications in any foreign countries (i.e., corresponding to patent in suit).
12 1234	Reports on tests conducted on purchased LPV TV series antenna.
13 1236	Results of tests and measurements conducted on "new antenna series of October 3, 1966". BT 33 (J-2) LPV-VU.
14 1273	Schenfeld's residence address.

<u>Page No.</u>	<u>Item</u>
	278 Search results "in Washington", listing of prior art located in this search.
16	293 Specific information and documents or tie-in sales and things of this sort.
15	293-4 Blueprints, specifications, notebooks, memoranda and technical reports, i.e., COLOR RANGER series with bracket portions omitted of blueprints.
16	299 Copies of all letters of indemnification that BT provided.
17	301 All documents relating to the adoption of the RANGER name on all of the antenna products of BT.
18	304 Date of publication of the instruction sheets for COLOR RANGER series antennas.
19	304 Invoices pertaining to the first commercial sale of the GOLDEN ARROW, GOLDEN DART and COLOR RANGER antennas.
20	304 Invoices and documents with respect to the mold produced for making the insulation parts of the GOLDEN DART and GOLDEN ARROW antennas.
21	313-314 Identification of antenna manufacturers other than JFD which make antennas believed to infringe the Blonder patent in suit, exhibit J-1, and identification of the specific antennas believed to infringe.
21	315 Identification of the model of the Finney UHF section that did not infringe the Blonder patent because it is a double boom made to have a substantially co-planar arrangement by putting "S" shaped devices in the dipoles.

<u>Page No.</u>	<u>Item</u>
22	316 Any requests for licenses under J-1.
30, 31	365 Salesmen, distributors, service people and everyone else involved in allegations of anti-trust - events, names, and specific evidence particularly relating to "drop your line or else be sued by JFD" communicated to BT by parts distributors.
23	376 Address of Jerry Cohn.
23	377 Last known address of John Lineman.
30	382-3 Data concerning customers who were threatened with suit if JFD's entire line was not handled exclusively.
24, 25	404-5 "Identify, in any JFD advertising or any releases or advertising of the Foundation wherein the Foundation or JFD have publicized the features of the manner in which the transmission line is connected to the feed end of the antenna, that is, the end adjacent the rigid insulating means you referred to, and also the strain relief that we are referring to."
25	405 "Also in connection with the manner in which the antenna is mounted to the mast."
26, 27	405-6 Identification of specific advertisements of JFD which show false marking. Also, cartons of JFD which have patent numbers that do not apply to actual antennas shipped in them.
27	406-7 Does false marking charges apply to LPV VU or LPV TV series?
28	408 Reports on field tests of BT GOLDEN DART and GOLDEN ARROW antennas.
29	411 Listing of patent infringement suits brought by BT.
30	425-6 Information as to loss of sales and customers lost (names, addresses, dates and descriptive details with respect to each instance which will be relied upon)

Page No.

Item

31

425-6

as specifically referred to in connection with paragraph 7(i) of the Counterclaim and the anti-trust count. Also, a complete description of damages sustained in each instance and explanation of how goodwill was damaged or lost in connection with each instance and identification of the potential customers referred to.

I appreciate that you have supplied me with a list of items that you were going to produce pursuant to Mr. Blonder's deposition and that there will be items common to both lists. May I go on record as stating that one production of the requested item common to both lists will be acceptable to me?

I look forward to your early compliance with the foregoing request.

Sincerely yours,

SILVERMAN & CASS


Myron C. Cass

MCC/gm

cc: Robert H. Rines, Esq.
Basil P. Mann, Esq.

P.S. The list which you supplied with your letter of October 31, 1966 refers to items Nos. 1 through 8 and 11 which have not been repeated on the above list. I presume that you will supply these items also.

November 23, 1966

Mr. Robert H. Rines
Rines and Rines
No. Ten Post Office Square
Boston, Massachusetts 02109

RE: IUP v. HF v. JFD

Dear Bob:

* I have had an opportunity to read the transcript
of Mr. Finkel's deposition. I enclose a copy of a list of
material to be produced by JFD.

Very truly yours,

Richard S. Phillips

RSP:iag

* Enclosure

cc: Mr. I. S. Blonder
Mr. Basil P. Mann
Mr. Myron C. Cass

**MATERIAL TO BE PRODUCED BY JFD
(Requested of Finkel Deposition)**

- ✓ 1. Date of purchase of Blonder-Tongue ARROW or DART antenna. (Page 48)
- ✓ 2. Results of comparison tests of Blonder-Tongue antenna. (Page 49)
3. Tests or other evidence of infringement supplied to the Foundation with regard to Blonder-Tongue DART and ARROW antennas and correspondence between Mayes and JFD or any other writings bearing on the relationship between the Blonder-Tongue antennas and the Isbell work. (Page 51)
4. All drawings, notebooks or other writings showing dual boom construction and the earliest dates of dual boom construction at JFD. (Page 54)
5. The names of all people who worked with Mr. Grant on any dual boom construction at JFD Laboratories in the spring of 1963. (Page 56)
6. Any documents bearing on the request to JFD from Sears for a VHF-UHF antenna or relating to the initiation of the development project in response to the Sears request. (Page 59)

LAW OFFICES
SHAPIRO AND SHAPIRO
PATENT, TRADEMARK AND COPYRIGHT CAUSES
SUITE 640 WASHINGTON BUILDING
FIFTEENTH STREET & NEW YORK AVE. N.W.
WASHINGTON 5, D.C.

ARTHUR SHAPIRO (1900-1961)
NELSON H. SHAPIRO
MILTON M. FIELD
IRVIN A. LAVINE
COUNSEL

STERLING 3-0498

December 7, 1966

Robert H. Rines, Esq.
Rines and Rines
No. Ten Post Office Square
Boston, Massachusetts 02109

Re: Isaac S. Blonder
Ser. No. 534,944

Dear Bob:

After reviewing this case and the prior art thoroughly, I have come to the conclusion that it may be possible to obtain the allowance of the enclosed claim. The art does not teach the use of a permanent magnet rotor in conjunction with a stator having legs provided with AC and DC fields in the particular relationship recited in the claim.

If this claim will give the desired protection, I shall present the same by amendment, along with a few dependent claims. I propose to have an interview with the Examiner to obtain the allowance of this claim without any further tests or affidavit at this time.

Please let me have your reaction just as soon as possible. If I do not hear from you before December 16, 1966, I shall have to obtain an extension.

Very truly yours,

SHAPIRO AND SHAPIRO

Nelson H. Shapiro

NHS/lm
encl.

cc: R. Rines, Esq.
at Blonder-Tongue

December 13, 1966

Mr. Myron C. Cass
Silverman & Cass
105 West Adams Street
Chicago, Illinois 60603

RE: UIF v. ET v. JFD

Dear Mike:

This supplements the material we have provided already in response to the requests for production during Mr. Blonder's deposition. The following items are identified by the number on the list I prepared and the page number or numbers from your corresponding list.

No. 10, page 201 - information regarding foreign patents on Blonder-Tongue antenna. Spanish patent 310,655 has issued. An application is pending in one other country.

* No. 19, page 304 - first sale invoices, ARROW, DART and RANGER antennas. See attached invoices, B-T documents 235, 236 and 237.

Nos. 30, 31, pages 293, 365, 382, 383, evidence regarding alleged antitrust violations.

The activities to which Mr. Blonder testified and the sales practices outlined by Mr. Finkel at pages 73-77 of his deposition of November 1, 1966. We can at present supply the following specific names:

Wholesale Radio Company
Philadelphia, Pennsylvania
Mr. Sidney Love

Leder Electronics Company
Newark, New Jersey

Sacramento Electronics Supply Company
Sacramento, California
Mr. Womack

Mr. M. C. Cass

- 2 -

December 13, 1966

* I am returning the documents which were marked for identification as exhibits J-3 through J-7 at Mr. Blender's deposition.

Very truly yours,

Richard S. Phillips

RSP:iag

* Enclosures

cc: Mr. Basil P. Mann
Mr. Robert H. Rines

December 16, 1965

Mr. James J. Costello
Legal Counsel
University of Illinois
258 Administration Building
Urbana, Illinois

RE: UIP v. ET v. JFD

Dear Mr. Costello:

I enclose a copy of a subpoena with regard to some additional documentary material we wish to examine.

Very truly yours,

Richard S. Phillips

RSP:ieg

Enclosure

cc: Mr. Harold B. Lawler
Mr. Basil P. Mann
Mr. Myron C. Cass
Mr. Robert H. Wince
Mr. I. S. Blonder

United States District Court

FOR THE

THE UNIVERSITY OF ILLINOIS FOUNDATION,
 Plaintiff and Counterclaim Defendant,
 - v -
 BLONDER-TONGUE LABORATORIES, INC.,
 Defendant and Counterclaimant,
 - v -
 JFD ELECTRONICS CORPORATION,
 Counterclaim Defendant.

CIVIL ACTION FILE NO.

No. 66 C 567

TO: Harold B. Lawler, Business Manager
 Department of Electrical Engineering
 Electrical Engineering Building
 University of Illinois
 Urbana, Illinois

YOU ARE HEREBY COMMANDED to appear in the United States District Court for the
 produce for inspection and ~~inspect~~ copying at the offices of Merriam,
 Marshall, Shapiro & Klose, ~~in the city of~~ 30 West Adams Street, in the ~~city~~
 city of Chicago, Illinois, the following:

~~In the above entitled action and being with you~~

- (1) All reports, drafts of reports, correspondence with the sponsoring agency, memoranda of University personnel regarding reports under contract No. AF33(616)-6079 [Project No. 9-(13-6278) Task 40572], during the period March 1, 1959 - June 1, 1959.
- (2) All cover letters accompanying copies of reports.
- (3) All records regarding the printing of reports under said contract during said period.
- (4) All accounting records relating to reports under said contract during said period, including, but not limited to, records of the printing expense and the mailing expense of said reports.

December 16, 1966.
 Hofgren, Wegner, Allen,
 Stellman & McCord
 Attorney for

Blonder-Tongue Laboratories, Inc.
 Address
 20 North Wacker Drive
 Chicago, Illinois 60606

Robert A. Wagner Jr.
 Clerk.
 By *William E. Kuehling*
 Deputy Clerk.

RETURN ON SERVICE

Received this subpoena at _____ on _____
 and on _____ at _____
 served it on the within named _____
 by delivering a copy to him and tendering to him the fee for one day's attendance and the mileage
 allowed by law.¹

Dated: _____, 19____ By _____

Service Fees
 Travel\$
 Services
 Total\$

Subscribed and sworn to before me, a _____ this _____
 day of _____, 19____

¹ Fees and mileage need not be tendered to the witness upon service of a subpoena issued in behalf of the United States or an officer or agency thereof. 28 USC 1826.
 NOTE.—Affidavit required only if service is made by a person other than a United States Marshal or his deputy.